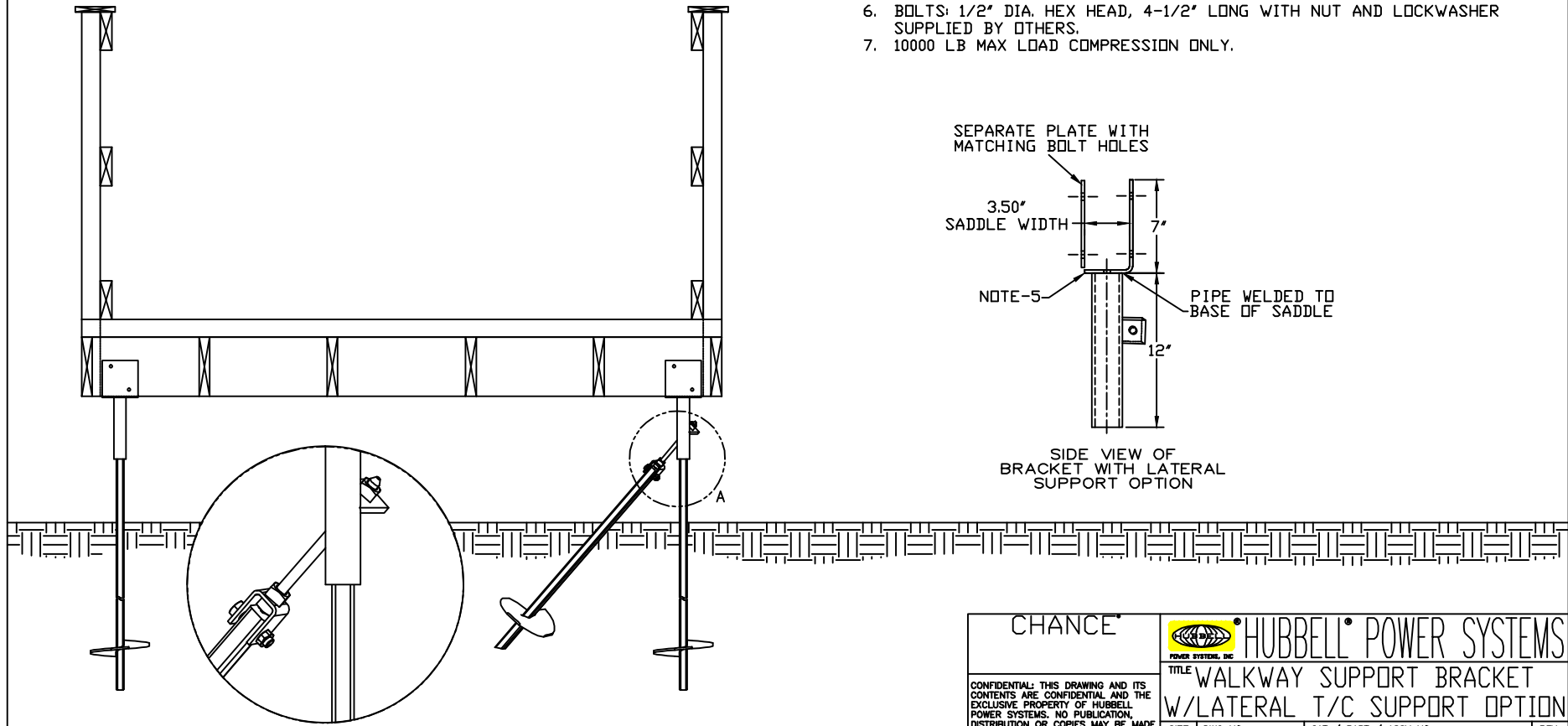
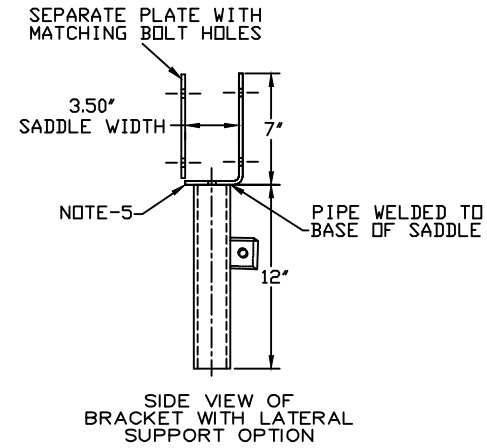


HELICAL PILE	WITH LATERAL SUPPORT	WITHOUT LATERAL SUPPORT
1-1/2 SQUARE SHAFT	C110-0736	C110-0682
2-7/8 PIPE SHAFT	C110-0925	C110-0936




-NOTES-

1. THIS IS A CONCEPT DRAWING ONLY. ACTUAL DESIGN AND CONSTRUCTION OF WALKWAY AND HELICAL PIER SUPPORT SYSTEM IS LEFT TO OTHERS.
2. HELICAL PIERS CAN BE EITHER SINGLE OR MULTI-HELIX, THE NUMBER AND SIZE OF HELIX PLATES VARY DEPENDING ON PIER LOAD AND SOIL CONDITIONS.
3. HELICAL PIERS ARE INSTALLED (SCREWED) TO A MINIMUM DEPTH AND TORQUE AS REQUIRED ON THE CONSTRUCTION PLANS.
4. HOT DIPPED GALVANIZED PER ASTM A-153.
5. MATERIAL FOR SADDLE: 1/4" THICK HOT ROLLED STEEL
6. BOLTS: 1/2" DIA. HEX HEAD, 4-1/2" LONG WITH NUT AND LOCKWASHER SUPPLIED BY OTHERS.
7. 10000 LB MAX LOAD COMPRESSION ONLY.



SIDE VIEW OF BRACKET WITH LATERAL SUPPORT OPTION

CHANCE		 HUBBELL POWER SYSTEMS <small>POWER SYSTEMS, INC.</small>	
<small>CONFIDENTIAL: THIS DRAWING AND ITS CONTENTS ARE CONFIDENTIAL AND THE EXCLUSIVE PROPERTY OF HUBBELL POWER SYSTEMS. NO PUBLICATION, DISTRIBUTION OR COPIES MAY BE MADE WITHOUT THE WRITTEN CONSENT OF HUBBELL POWER SYSTEMS. HUBBELL POWER SYSTEMS UNPUBLISHED. ALL RIGHTS RESERVED UNDER THE COPYRIGHT LAWS.</small>			
TITLE WALKWAY SUPPORT BRACKET W/LATERAL T/C SUPPORT OPTION		SIZE SB SA110-0736	CAT / PART / ASSY NO. C110-0736
DO NOT SCALE THIS DRAWING	DRN BY TLW	DATE 5/4/11	REV B SHEET 1 OF 1