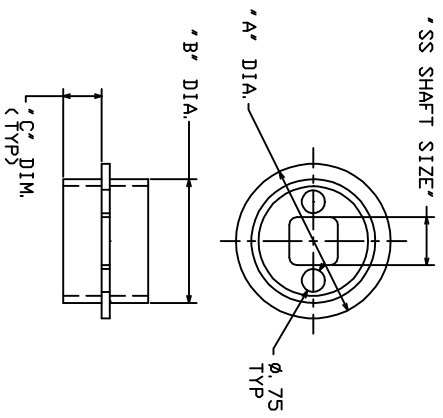


## DISPLACEMENT PLATES FOR CASED GROUT COLUMNS

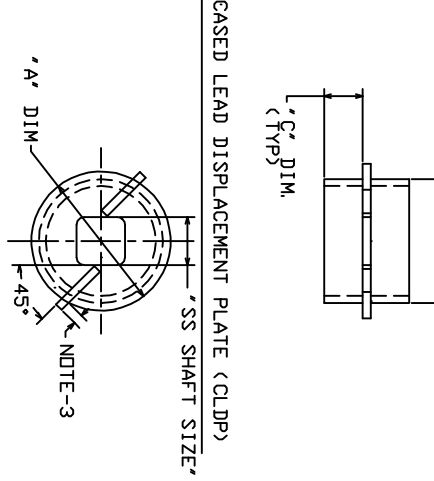
CASED EXTENSION DISPLACEMENT PLATE (CEDP)



-NOTES-

1. MAT'L: 1/4" THICK STEEL.
2. PADDLES OVERHANG OUTSIDE PERIMETER OF PLATE.

CASED LEAD DISPLACEMENT PLATE (CLDP)



CASED EXTENSION DISPLACEMENT PLATE				
CAT. NO.	" A "	" B "	" C "	SS SHAFT SIZE
T150-0338	5"	4"	1-1/4"	1-1/2"
C150-0426	7"	6"	1-3/4"	1-3/4"
C150-0427	7"	6"	1-3/4"	2"

CASED LEAD DISPLACEMENT PLATE				
CAT. NO.	" A "	" B "	" C "	SS SHAFT SIZE
T150-0339	5"	4"	1-1/4"	1-1/2"
C150-0424	7"	6"	1-3/4"	1-3/4"
C150-0425	7"	6"	1-3/4"	2"

HELICAL PULLDOWN<sup>®</sup> MICROPILE

<p style="margin: 0;"><b>CHANCE</b></p>	<p style="margin: 0; font-size: small;">CONFERENTIAL, THIS DRAWING AND ITS CONTENTS ARE CONFIDENTIAL, AND THE EXCLUSIVE PROPERTY OF HUBBELL POWER SYSTEMS. NO REPRODUCTION, DISTRIBUTION OR COPIES MAY BE MADE WITHOUT THE WRITTEN CONSENT OF HUBBELL POWER SYSTEMS. UNPUBLISHED. ALL RIGHTS RESERVED UNDER THE COPYRIGHT LAWS.</p>
<p style="margin: 0;"><b>HUBBELL POWER SYSTEMS</b></p>	<p style="margin: 0; font-size: small;">TITLE: <b>CASED DISPLACEMENT PLATES</b></p> <p style="margin: 0; font-size: x-small;">SIZE: DWG NO. SBI/S150-0338 DO NOT SCALE THIS DRAWING</p> <p style="margin: 0; font-size: x-small;">CAT / PART / ASSY NO. SEE CHART</p> <p style="margin: 0; font-size: x-small;">DWN BY: KSH DATE: 8/10/04 SHEET: 1/1</p> <p style="margin: 0; font-size: x-small;">REV: C</p>