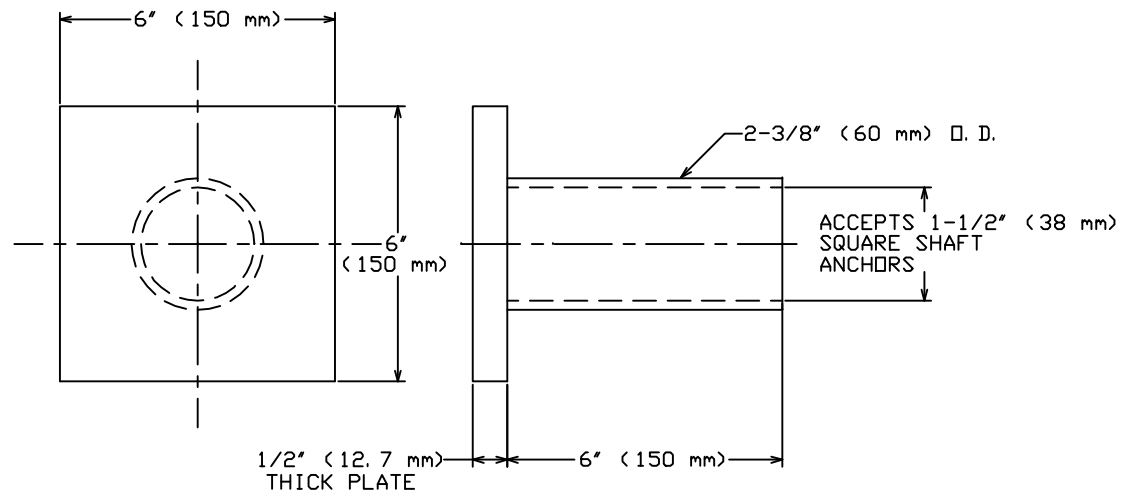



INSTALLATION CONCEPT OF PILE CAP DETAIL

==NOTES==

1. FINISH: MILL FINISH STEEL.
2. MATERIAL SPECIFICATIONS:
PIPE: STEEL PIPE, PER ASTM GRADE B, OR ASTM A 500 GRADE B.
PLATE: PER ASTM A572 GRADE 50.
3. RATING: 20 TON (178 KN) COMPRESSION WORKING/DESIGN LOAD. THIS RATING IS VALID ONLY IF THE PILE CAP DETAIL HAS BEEN DESIGNED TO ENSURE ADEQUATE LOAD TRANSFER FROM REINFORCED CONCRETE FOUNDATION TO SCREW PILE, AND IN ACCORDANCE WITH EXISTING LOCAL CODE REQUIREMENTS AND/OR ESTABLISHED LOCAL PRACTICES.



CATALOG NUMBER
C150-0458

CHANCE [®] TOLERANCE CHART		 HUBBELL[®] POWER SYSTEMS <small>POWER SYSTEMS, INC.</small>		
<small>CONFIDENTIAL: THIS DRAWING AND ITS CONTENTS ARE CONFIDENTIAL AND THE EXCLUSIVE PROPERTY OF HUBBELL POWER SYSTEMS. NO PUBLICATION, DISTRIBUTION OR COPIES MAY BE MADE WITHOUT THE WRITTEN CONSENT OF HUBBELL POWER SYSTEMS. HUBBELL POWER SYSTEMS UNPUBLISHED. ALL RIGHTS RESERVED UNDER THE COPYRIGHT LAWS.</small>				
TITLE NEW CONSTRUCTION PILE CAP				
SIZE B	DWG NO. SA150-0458	CAT / PART / ASSY NO. C150-0458		REV D
DO NOT SCALE THIS DRAWING	DRN BY TLW	DATE 8/12/11	SHEET 1 OF 1	