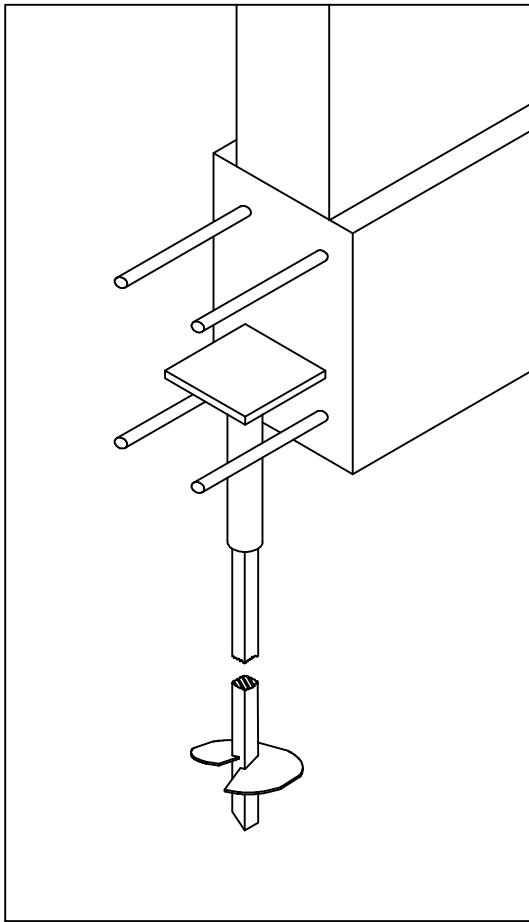
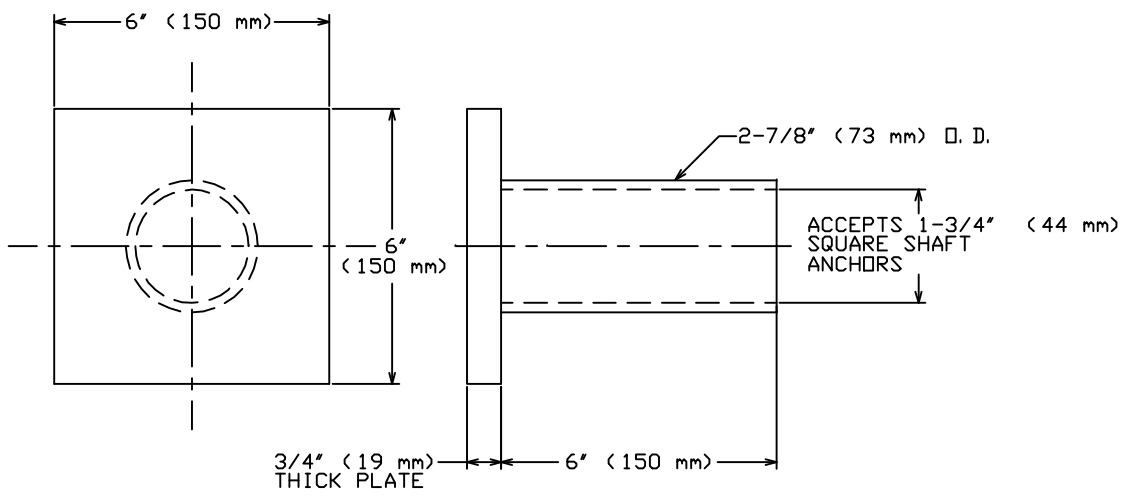


==NOTES==


1. FINISH: MILL FINISH STEEL.
2. MATERIAL SPECIFICATIONS:  
PIPE: STEEL TUBE, ROUND, PER ASTM A500 GRADE B.  
PLATE: PER ASTM A36.
3. RATING: 30 (267 KN) TON COMPRESSION WORKING/DESIGN LOAD. THIS RATING IS VALID ONLY IF THE PILE CAP DETAIL HAS BEEN DESIGNED TO ENSURE ADEQUATE LOAD TRANSFER FROM REINFORCED CONCRETE FOUNDATION TO SCREW PILE, AND IN ACCORDANCE WITH EXISTING LOCAL CODE REQUIREMENTS AND/OR ESTABLISHED LOCAL PRACTICES.



INSTALLATION CONCEPT OF PILE CAP DETAIL



CATALOG NUMBER  
C150-0459

CHANCE TOLERANCE CHART		 <b>HUBBELL POWER SYSTEMS</b> <small>POWER SYSTEMS, INC.</small>	
<small>CONFIDENTIAL: THIS DRAWING AND ITS CONTENTS ARE CONFIDENTIAL AND THE EXCLUSIVE PROPERTY OF HUBBELL POWER SYSTEMS. NO PUBLICATION, DISTRIBUTION OR COPIES MAY BE MADE WITHOUT THE WRITTEN CONSENT OF HUBBELL POWER SYSTEMS. HUBBELL POWER SYSTEMS UNPUBLISHED. ALL RIGHTS RESERVED UNDER THE COPYRIGHT LAWS.</small>			
TITLE <b>NEW CONSTRUCTION PILE CAP</b>		SIZE B	REV D
DWG NO. SA150-0459	CAT / PART / ASSY NO. C150-0459	DO NOT SCALE THIS DRAWING	DRN BY TLW
DATE 8/12/11	SHEET 1 OF 1		