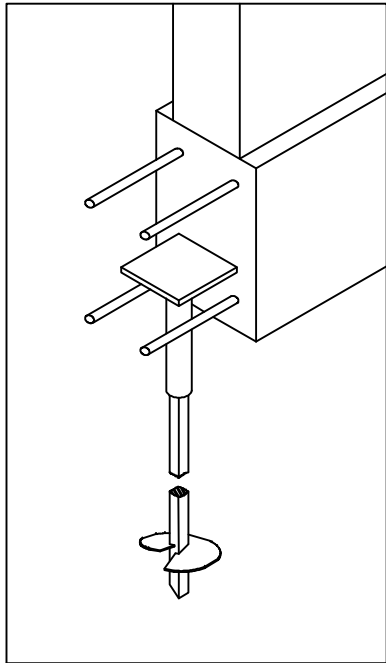
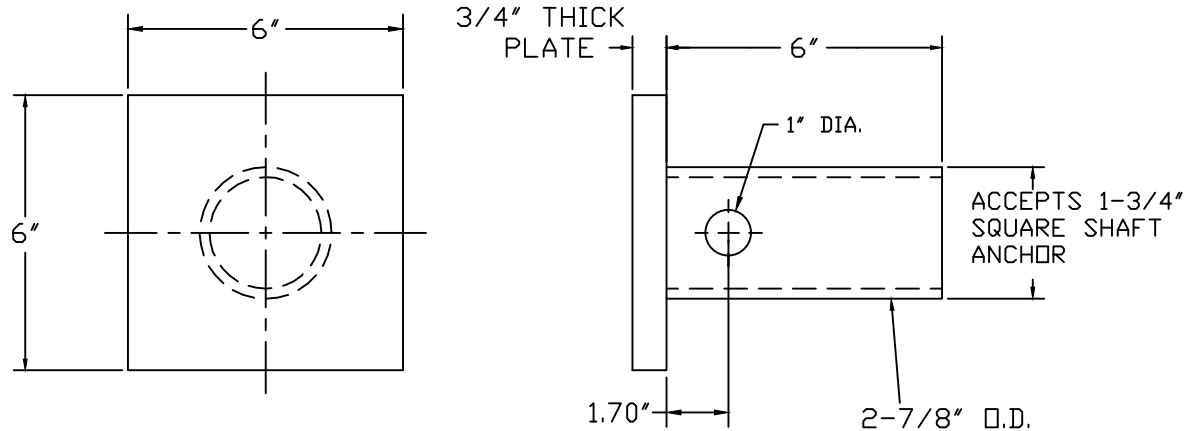


==NOTES==

1. FINISH: MILL FINISH STEEL OR ADD "G" TO THE END OF THE CATALOG NUMBER FOR HOT DIP GALVANIZED FINISH PER ASTM A153 (LATEST REV).
2. MATERIAL SPECIFICATIONS:
PIPE: STEEL PIPE PER ASTM A500 GRADE B.
PLATE: PER ASTM A36.
3. RATING: 30 TON COMPRESSION WORKING/DESIGN LOAD.
4. RATING: 15 TON TENSION WORKING/DESIGN LOAD. TENSION RATING VALID ONLY IF USING COUPLING BOLT AND NUT SPECIFIED OR THEIR MECHANICAL EQUIVALENT WITH THREADS EXCLUDED FROM THE SHEAR PLANES.
5. THESE ABOVE RATINGS ARE VALID ONLY IF THE PILE CAP DETAIL HAS BEEN DESIGNED TO ENSURE ADEQUATE LOAD TRANSFER FROM REINFORCED CONCRETE FOUNDATION TO SCREW PILE, AND IN ACCORDANCE WITH EXISTING LOCAL CODE REQUIREMENTS AND/OR ESTABLISHED LOCAL PRACTICES.



INSTALLATION CONCEPT OF PILE CAP DETAIL



COUPLING BOLT AND NUT *	
DESCRIPTION	BOLT TYPE
7/8" DIA. BOLT	ASTM A193 GRADE B7
HEX NUT	

* BOLTS AND NUTS ARE NOT INCLUDED WITH BRACKET.

CATALOG NUMBER
C150-0467

CHANCE CIVIL CONSTRUCTION		HUBBELL POWER SYSTEMS	
CONFIDENTIAL: THIS DRAWING AND ITS CONTENTS ARE CONFIDENTIAL AND THE EXCLUSIVE PROPERTY OF HUBBELL POWER SYSTEMS. NO PUBLICATION, DISTRIBUTION OR COPIES MAY BE MADE WITHOUT THE WRITTEN CONSENT OF HUBBELL POWER SYSTEMS. HUBBELL POWER SYSTEMS UNPUBLISHED. ALL RIGHTS RESERVED UNDER THE COPYRIGHT LAWS.			
TITLE NEW CONSTRUCTION PILE CAP FOR 1-3/4" PILES FOR UPLIFT RESTRAINT	SIZE SB SA150-0467	DWG NO. C150-0467	CAT / PART / ASSY NO. C150-0467
DO NOT SCALE THIS DRAWING	DRN BY TLW	DATE 8/12/11	REV F SHEET 1/1