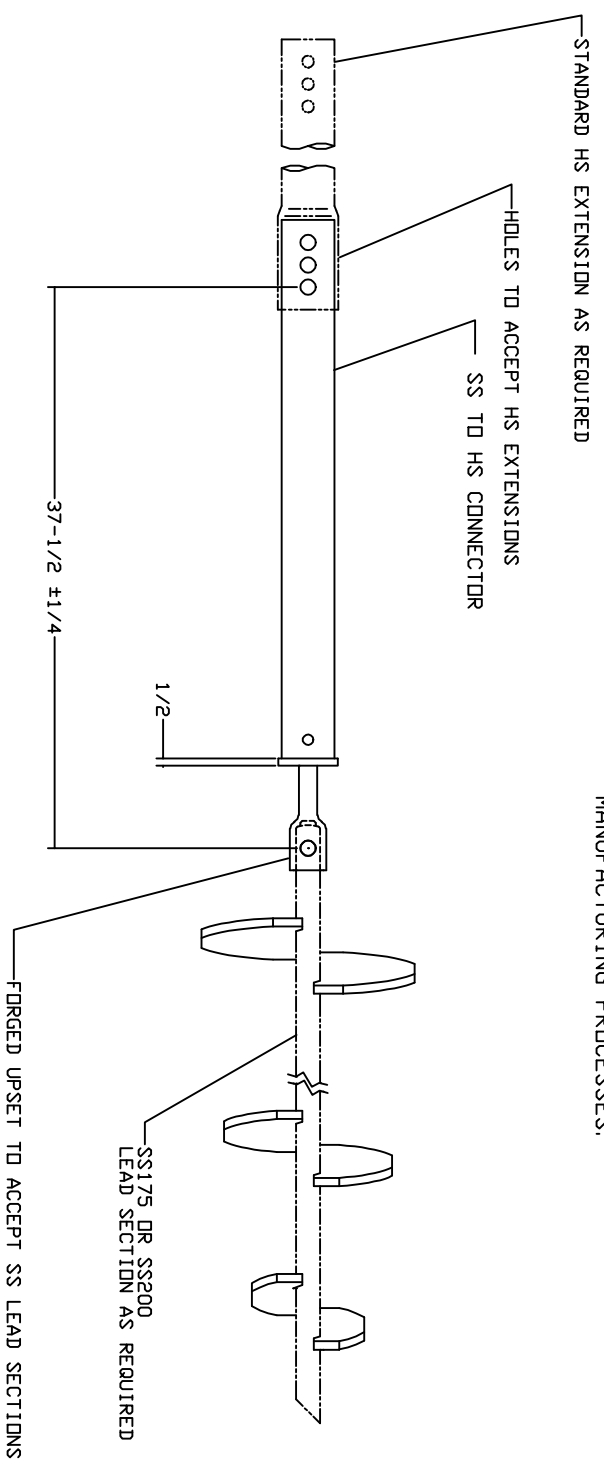


==NOTES==

1. MATERIAL: 3 INCH EXTRA HEAVY STEEL PIPE  
HOT DIP GALVANIZE PER ASTM A153.
2. MANUFACTURER TO HAVE IN EFFECT INDUSTRY RECOGNIZED  
WRITTEN QUALITY CONTROL FOR ALL MATERIALS AND  
MANUFACTURING PROCESSES.



C A T , N D ,	
SS175 TD HS	T107-0808
SS200 TD HS	T107-0809

MECHANICAL RATING: TORQUE: 11,000 FT-LB.  
AXIAL LOAD: 100,000 LBS.

CHANCE			
<small>CONFER WITH THE DRAWING AND THE REVISIONS THEREON TO DETERMINE THE APPLICABLE PROVISIONS OF MATERIALS SPECIFICATIONS AND TO VERIFY THE CORRECTNESS OF THE INFORMATION CONTAINED THEREIN. THE USER OF THIS DRAWING SHALL BE RESPONSIBLE FOR OBTAINING ALL NECESSARY PERMITS AND FOR THE PROTECTION OF THE DRAWING FROM UNAUTHORIZED REPRODUCTION.</small>		<small>SEE REV. 7/1997 FOR REVISED DIMENSIONS AND MATERIAL SPECIFICATIONS FOR THIS DRAWING.</small>	
TITLE	SS TD HS CONNECTOR	SIZE	3 INCH
DESIGNER	C SAT107-0808	DATE	7/98
CHECKED	SEE CHART	SCALE	AS SHOWN
APPROVED		BY	
HUBBELL POWER SYSTEMS		SHEET 1 OF 1	