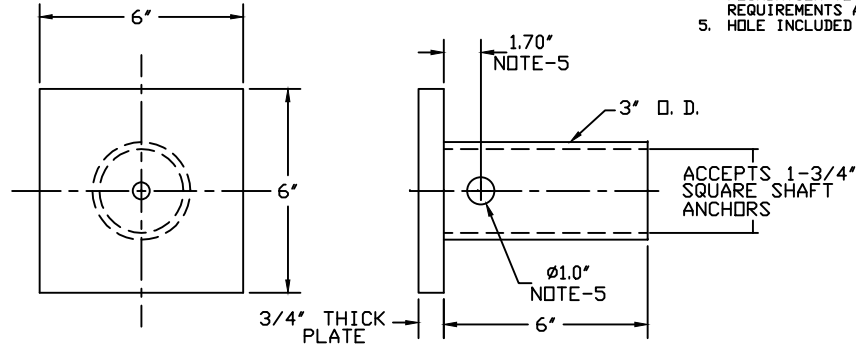


INSTALLATION CONCEPT OF PIER CAP DETAIL



==NOTES==

1. FINISH: HOT DIP GALVAIZED PER ASTM-A153 (LATEST REVISION)
2. MATERIAL SPECIFICATIONS:
PIPE: BLACK UNCOATED ROUND STEEL TUBE PER ASTM A513 TYPE 5, GRADE 1026.
PLATE: PER ASTM A572 GRADE 50.
3. TENSION RATING VALID ONLY IF USING COUPLING BOLT AND NUT SPECIFIED IN CHART BELOW OR THEIR MECHANICAL EQUIVALENT.
4. THESE ABOVE RATINGS ARE VALID ONLY IF THE PIER CAP DETAIL HAS BEEN DESIGNED TO ENSURE ADEQUATE LOAD TRANSFER FROM REINFORCED CONCRETE FOUNDATION TO SCREW PIER, AND IN ACCORDANCE WITH EXISTING LOCAL CODE REQUIREMENTS AND /OR ESTABLISHED LOCAL PRACTICES.
5. HOLE INCLUDED ON C1500467G ONLY.

CATALOG NUMBER	PILE MODEL	ASD ALLOWABLE STRENGTHS IN COMPRESSION (kips)											
		2500 psi CONCRETE ⁵				3000 psi CONCRETE ⁵				4000 psi CONCRETE ⁵			
		FIRM SOIL		SOFT SOIL		FIRM SOIL		SOFT SOIL		FIRM SOIL		SOFT SOIL	
	PINNED	FIXED	PINNED	FIXED	PINNED	FIXED	PINNED	FIXED	PINNED	FIXED	PINNED	FIXED	
C1500459G	SS175	52.7	52.7	15.4	30.2	60.0	60.0	15.4	30.2	60.0	60.0	15.4	30.2
C1500467G	SS175	52.7	52.7	15.4	30.2	60.0	60.0	15.4	30.2	60.0	60.0	15.4	30.2

CATALOG NUMBER	PILE MODEL	ASD ALLOWABLE STRENGTHS IN TENSION (kips)		
		2500 psi CONCRETE ⁵	3000 psi CONCRETE ⁵	4000 psi CONCRETE ⁵
		ALLOW	ALLOW	ALLOW
C1500467G	SS175	39.5	39.5	39.5

COUPLING BOLT AND NUT*			
BOLT DIA.	BOLT LENGTH [‡] (MIN.)	BOLT GRADE	NUT
7/8"	5'	ASTM A325 TYPE 1	7/8", MATCHING HEX NUT

¹Refer to Section 4.1.3 of ESR-2794 for descriptions of fixed condition, pinned condition, soft soil and firm soil.

²Strength ratings include an allowance for corrosion over a 50-year service life and presume the supported structure is braced in accordance with IBC Section 1808.2.2 of the 2012 and 2009 IBC (Section 1808.2.5 of the 2006 IBC).

³Capacities apply to the specific pile cap and pile models listed.

⁴The fixed end condition requires that the foundation itself be fixed and that the pile and pile cap be embedded in the foundation with adequate concrete cover and reinforcing to resist 56.4 kip-in. or 116 kip-in nominal bending moment for SS5 and SS175 pile models respectively. The center of the shaft must be at least 6-in away from the end/corner of the concrete footing.

⁵See Section 4.1.2 of ESR-2794 for applicable limit states that must be evaluated by a registered design professional.

⁶Refer to the specified compressive strength of concrete at 28 days.

ICC-ES LISTED
ESR-2794

* BOLTS AND NUTS ARE NOT INCLUDED WITH BRACKET.
‡ FOR BOLTS WITH STANDARD THREAD LENGTH. THREADS ARE EXCLUDED FROM THE SHEAR PLANE.

CHANCE CIVIL CONSTRUCTION CONFIDENTIAL: THIS DRAWING AND ITS CONTENTS ARE CONFIDENTIAL AND THE EXCLUSIVE PROPERTY OF HUBBELL POWER SYSTEMS. NO PUBLICATION, DISTRIBUTION OR COPIES MAY BE MADE WITHOUT THE WRITTEN CONSENT OF HUBBELL POWER SYSTEMS. HUBBELL POWER SYSTEMS UNPUBLISHED ALL RIGHTS RESERVED UNDER THE COPYRIGHT LAWS.	HUBBELL POWER SYSTEMS POWER SYSTEMS, INC.		
	TITLE NEW CONSTRUCTION PIER CAP FOR 1-3/4" PILES		
SIZE SB SA150-0467G	DWG NO. C150-0467G	CAT / PART / ASSY NO. C150-0467G	REV C
DO NOT SCALE THIS DRAWING	DRN BY TLW	DATE 9/14/11	SHEET 1/1