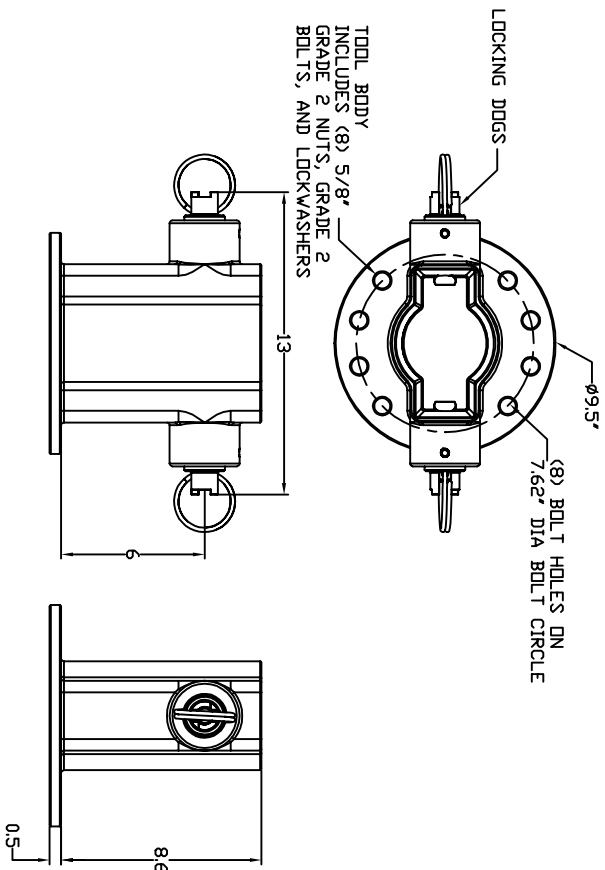
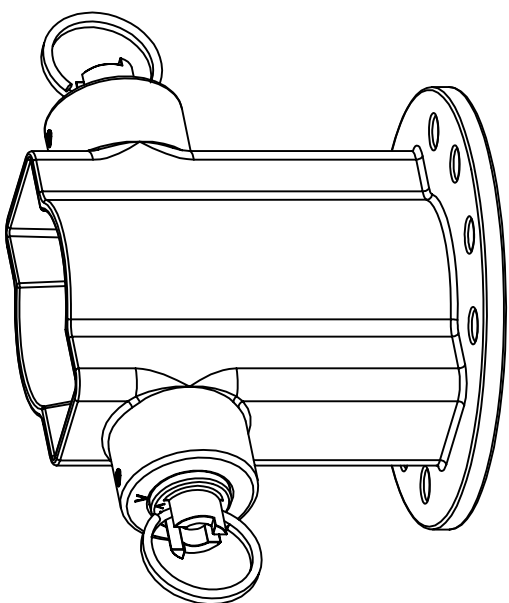
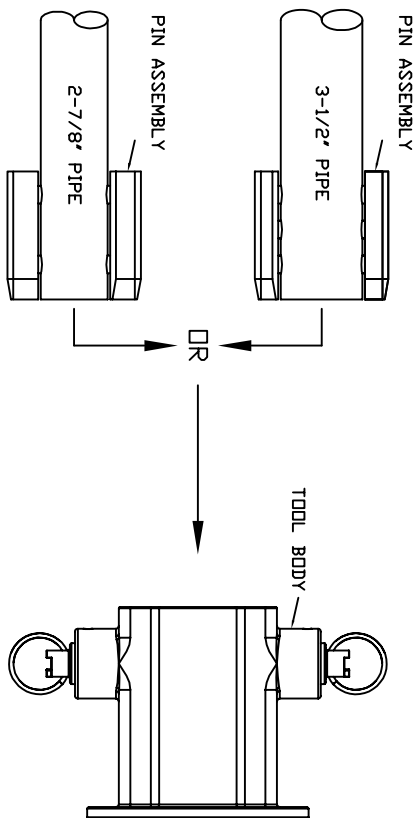


UNIVERSAL TOOL
(RS2875 AND RS3500)



1. MATERIAL * * NOTES * *
 TOOL BODY - CAST STEEL
 PIN ASSEMBLIES - AISI 4140
2. FINISH:
 TOOL BODY - PAINTED SPRUCE GREEN

CATALOG NUMBER	FAMILY	INCLUDES
C3031624	RS2875, 276	PIN ASSEMBLY
C3031626	RS2875, 276	TOOL BODY & PIN ASSEMBLY
C3031620	RS3500, 300	PIN ASSEMBLY
C3031627	RS3500, 300	TOOL BODY & PIN ASSEMBLY
C3031658	-----	LOCKING DOG REPLACEMENT KIT
056653P	-----	5/8" GRADE 2 BOLT (QTY 1)
055827P	-----	5/8" SPRING LOCKWASHER (QTY 1)
055803P	-----	5/8" GRADE 2 HEX NUT (QTY 1)

CHANCE TOLERANCE CHART

CONFIDENTIAL: THIS DRAWING AND ITS EXCLUSIVE PROPERTY OF HUBBELL POWER SYSTEMS. NO REPRODUCTION, STORAGE, OR DISSEMINATION WITHOUT THE WRITTEN CONSENT OF HUBBELL POWER SYSTEMS. UNPUBLISHED OR REPORT REFERENCED UNDER THE CONTROL LAWS.

HUBBELL POWER SYSTEMS

RS DRIVE TOOL

SIZE: DIM NO. / PART / ASSY NO.
 C | SA3031620 | SEE CHART

DATE: 10/25/12

SHEET 1/1