

CITY OF LOS ANGELES

CALIFORNIA



ERIC GARCETTI
MAYOR

BOARD OF
BUILDING AND SAFETY
COMMISSIONERS

VAN AMBATIELOS
PRESIDENT

E. FELICIA BRANNON
VICE PRESIDENT

JOSELYN GEAGA-ROSENTHAL
GEORGE HOVAGUIMIAN
JAVIER NUNEZ

DEPARTMENT OF
BUILDING AND SAFETY
201 NORTH FIGUEROA STREET
LOS ANGELES, CA 90012

RAYMOND S. CHAN, C.E., S.E.
GENERAL MANAGER

FRANK BUSH
EXECUTIVE OFFICER

Hubbell Power Systems, Inc.
210 N. Allen St.
Centralia, MO 65240

Attn: Gary L. Seider
(214) 240-6115

RESEARCH REPORT: RR 25984
(CSI # 31 63 00)

BASED UPON ICC-ES EVALUATION
REPORT NO. ESR-2794

REEVALUATION DUE
DATE: March 1, 2016
Issued Date: March 1, 2015
Code: 2014 LABC

GENERAL APPROVAL – Chance® Type SS5 and SS175 Helical Foundation Systems DETAILS

The above assemblies and/or products are approved when in compliance with the use, description, design, installation, conditions of approval, and identification of Evaluation Report No. ESR-2794, reissued April 1, 2013, revised June 1, 2013, of the ICC Evaluation Service, Incorporated. The report, in its entirety, is attached and made part of this general approval.

The parts of Evaluation Report No. ESR-2794 marked by an asterisk are modified or deleted by the Los Angeles City Building Department from this approval.

The approval is subject to the following conditions:

1. Chance® Type SS5 and SS175 Helical Foundation Systems shall not be used for foundation systems of new structures. The application is limited to remedial repair of existing foundation systems.
2. Chance® Type SS5 and SS175 Helical Foundation Systems are not approved to support lateral or tension loads due to seismic or wind effects.
3. Use of Type A brackets for supporting lateral loads is outside the scope of the report.
4. The approval is for the material of Chance® Type SS5 and SS175 Helical Foundation Systems only.
5. Installation of the helical foundation systems are limited to regions of concrete members where analysis indicates no cracking will occur at service loads levels.

RR 25984
Page 1 of 3

6. When used for Remedial Repair, lateral stability in accordance with Section 1810.2. 2 of the 2014-LABC is not required.
7. Shaft couplings must be located within firm or soft soils embedded minimum 5 or 10 ft., respectively. Firm and soft soils are defined in Section 4.1.3 of the attached ICC-ES ESR-2794 evaluation report.
8. Installation of Chance® Type SS5 and SS175 Helical Foundation Systems shall comply with manufacturer's installation procedures.
9. Special inspections shall be performed continuously during installation of the helical pile foundation systems in accordance with Section 1705.9 of the 2014 LABC by a Los Angeles City registered deputy inspectors
10. For each project using Chance® Type SS5 and SS175 Helical Foundation Systems, a soils investigation report shall be submitted to the Grading Section for their approval.
11. Plans with complete structural calculations shall be submitted to Structural Plan Check Section for their approval and issuance of permits. The structural calculations of the system shall be performed by an engineer registered in the State of California and shall be in accordance with the 2014 Los Angeles City Building Code.
12. Chance® Type SS5 and SS175 Helical Foundation Systems shall be fabricated by an Approved Fabricator, licensed by the Los Angeles City Department of Building and Safety.

DISCUSSION

The report is in compliance with Section 1810.3.1.5 of the 2014 City of Los Angeles Building Code for remedial repair of existing buildings.

The approval was based on tests in accordance with ICC ES Acceptance Criteria for Helical Pile Systems and Devices (AC358), dated June 2013.

This general approval will remain effective provided the Evaluation Report is maintained valid and unrevised with the issuing organization. Any revisions to the report must be submitted to this Department, with appropriate fee, for review in order to continue the approval of the revised report.

Addressee to whom this Research Report is issued is responsible for providing copies of it, complete with any attachments indicated, to architects, engineers and builders using items approved herein in design or construction which must be approved by Department of Building and Safety Engineers and Inspectors.

Hubbell Power Systems, Inc.

RE: Chance® Type SS5 and SS175 Helical Foundation Systems

This general approval of an equivalent alternate to the Code is only valid where an engineer and/or inspector of this Department has determined that all conditions of this approval have been met in the project in which it is to be used.

QUAN NGHIEM, Chief
Engineering Research Section
201 N. Figueroa St., Room 880
Los Angeles, CA 90012
Phone- 213-202-9812
Fax- 213-202-9943

KH
RR25984/MSWord2010
R11/14/14
2G/1810.3

Attachment: ICC ES Evaluation Report No.ESR-2794 (20 Pages)

ICC-ES Evaluation Report

ESR-2794*

Reissued April 1, 2013

This report is subject to renewal May 1, 2014.

www.icc-es.org | (800) 423-6587 | (562) 699-0543

A Subsidiary of the International Code Council®

DIVISION: 31 00 00—EARTHWORK
Section: 31 63 00—Bored Piles
REPORT HOLDER:
HUBBELL POWER SYSTEMS, INC.
 210 NORTH ALLEN STREET
 CENTRALIA, MISSOURI 65240
 (573) 682-8273
www.abchance.com
civilconstruction@hps.hubbell.com
EVALUATION SUBJECT:
CHANCE® TYPE SS5 AND SS175 HELICAL FOUNDATION SYSTEMS
1.0 EVALUATION SCOPE
Compliance with the following codes:

 2012, 2009 and 2006 *International Building Code*® (IBC)

Properties evaluated:

Structural and geotechnical

2.0 USES

Chance® Model SS5 and SS175 Helical Foundation Systems are used either to underpin foundations of existing structures in accordance with Chapter 34 of the IBC ~~or to form deep foundations for new structures in accordance with Chapter 18 of the IBC~~; and are designed to transfer compression ~~and tension~~ loads from the supported structures to suitable soil bearing strata. Underpinning of existing foundations is generally achieved by attaching the helical piles to the retrofit brackets (Type A side-load brackets), which support compression loads only. ~~Deep foundations for new construction are generally obtained by attaching the helical piles to new construction brackets (Type B direct-load brackets) that are embedded in concrete pile caps or grade beams, which support both tension and compression loads.~~

3.0 DESCRIPTION
3.1 General:

The Chance® helical foundation systems consist of a helical pile and a bracket that allows for attachment to the supported structures. Each helical pile, consisting of a lead section and one or more extension sections, is screwed into the ground by application of torsion to a depth that conforms to project requirements for avoidance of unsatisfactory subsurface conditions and ensures a suitable soil or bedrock bearing stratum has been reached. The bracket is then installed to connect the pile to the concrete foundation of the supported structure.

3.2 System Components:

The Chance® helical foundation systems include either a Model SS5 or a Model SS175 helical pile (shaft with a helix or helices) and either a Type A side-load bracket (standard remedial repair bracket, heavy duty remedial repair bracket, and direct jack remedial repair bracket) ~~or a Type B direct-load bracket (new construction pile cap)~~, for attachment to concrete foundations.

3.2.1 Helical Pile Lead Sections and Extensions: The Chance® Model SS5 and SS175 helical pile lead sections consist of one or more (up to three for SS5 lead sections, and up to four for SS175 lead sections) helical-shaped circular steel plates factory-welded to a central steel shaft. The depth of the helical piles in soil is typically extended by adding one or more steel shaft extensions that are mechanically connected together by integral, forged steel couplings, to form one continuous steel pile. The extensions may or may not include helical bearing plates, depending on the project specifications.

The SS5 central steel shafts of the lead section and extension sections are 1½-inch (38.1 mm), solid, round-cornered, square (RCS) steel bars. The SS175 central steel shafts of the lead section and extension sections are 1¾-inch (44.5 mm), solid, round-cornered, square (RCS) steel bars. Figure 1 and Table 1 provide details for lead sections; and Figure 2 and Table 2 provide details for extension sections.

3.2.2 Helix Plates: Each circular, helical, steel bearing plate (helix) is split from the center to the outside edge with spiral edge geometry. Each helix is formed to a clockwise downward spiral with all radial sections normal to the shaft's central longitudinal axis ±3° and with a 3-inch nominal pitch. The pitch is the distance between the leading and trailing edges. The helices are fillet-welded to the pile shaft. For SS5 helical piles, each helix plate is 0.375 inch (9.5 mm) thick and has an outer diameter of 8, 10, 12 or 14 inches (203, 254, 305 or 356 mm). For SS175 helical piles, each helix plate is 0.375 inch (9.5 mm) thick and has an outer diameter of 10, 12 or 14 inches (254, 305 or 356 mm), or is 0.50 inch (12.7 mm) thick with an outer diameter of 8 inches (203 mm). Figures 1 and 2, and Tables 1 and 2, provide details.

3.2.3 Couplings: At one end of each extension section, an upset socket is made from the RCS steel bar, which allows the upper end of the lead shaft or the other end (the end without the upset socket) of an extension section to be snug-fitted into the upset socket. Holes are factory-drilled at each end of an extension section and at the upper end of the lead section, so as to allow the multiple shaft sections (between the lead and the extension section

*Revised June 2013

or between two extension sections) to be through-bolted together during the installation. For SS5 helical piles, each coupling includes one $\frac{3}{4}$ -inch-diameter (19 mm), 3-inch-long (76.2 mm), hex-head structural bolt, and one matching hex jam nut. For SS175 helical piles, each coupling includes one $\frac{7}{8}$ -inch-diameter (22 mm), 3.75-inch-long (95.2 mm), hex-head bolt, and one matching hex jam nut. Figures 1 and 2, and Tables 1 and 2, provide details.

3.2.4 Brackets: The Chance® Standard Remedial Repair Bracket assembly, Heavy Duty Remedial Repair Bracket assembly, and Direct Jack Remedial Repair Bracket assembly are side-load brackets, intended to attach helical piles that support axial compression loads only, which introduce both structure eccentricity (eccentricity between applied loading and reactions acting on the foundation structure) and bracket eccentricity (eccentricity between applied loading and reactions acting on the bracket assembly). ~~Chance® New Construction Pile Caps are direct-load brackets and are for attaching to helical piles that support axial compression or axial tension loads. The different brackets are described in Sections 3.2.4.1 through 3.2.4.3.~~

3.2.4.1 Chance® Standard and Heavy Duty Remedial Repair Bracket Assemblies: The Chance® Standard Remedial Repair Bracket Assembly is designed for use with the Chance® Model SS5 and SS175 helical piles and is used to transfer axial compressive loading only from existing concrete foundations to the helical piles. The bracket assembly (C1500121 or C1500299) consists of a bracket subassembly; a T-Pipe (C1500486, C1500487 or C1500488); two $\frac{7}{8}$ -inch-diameter (22.2 mm), 10-inch-long (254 mm), hex head, full-length threaded heavy hex bolts, with two matching $\frac{7}{8}$ -inch (22.2 mm) plain washers and two matching $\frac{7}{8}$ -inch (22.2 mm) heavy hex nuts; one $\frac{5}{8}$ -inch-diameter (15.9 mm), $4\frac{1}{2}$ -inch-long (114 mm), heavy hex bolt and one matching $\frac{5}{8}$ -inch (15.9 mm) heavy hex nut for bracket assembly C1500121; and one $\frac{3}{4}$ -inch-diameter (19 mm), $4\frac{1}{2}$ -inch-long (114 mm) heavy hex bolt and one matching $\frac{3}{4}$ -inch (19 mm) heavy hex nut for bracket assembly C1500299. The two $\frac{7}{8}$ -inch bolts, washers and nuts are used to connect the T-Pipe to the bracket subassembly, and the $\frac{5}{8}$ -inch or $\frac{3}{4}$ -inch bolt and nut are used to retain the T-Pipe within the two outstanding guide plates of the bracket subassembly. The installing contractor must supply two post-installed, concrete anchor bolts complying with Section 3.2.4.1.4, which are used to attach the bracket subassembly to the concrete foundations.

The Chance® Heavy Duty Remedial Repair Bracket Assembly is designed for use with the Chance® Model SS175 helical shaft and is used to transfer axial compressive loading from existing concrete foundations to the SS175 helical piles only. The bracket assembly (C1500147) consists of a bracket subassembly; a T-Pipe (C1500474); two 1-inch-diameter (25.4 mm), 10-inch-long (254 mm), hex head, full-length threaded heavy hex bolts, with two matching 1-inch (25.4 mm) plain washers and two matching 1-inch (25.4 mm) heavy-hex nuts; and one $\frac{7}{8}$ -inch-diameter (22.2 mm), $6\frac{1}{4}$ -inch-long (159 mm) heavy hex bolt and one matching $\frac{7}{8}$ -inch (22.2 mm) heavy hex nut. The two 1-inch (25.4 mm) bolts, washers and nuts are used to connect the T-Pipe to the bracket subassembly, and the $\frac{7}{8}$ -inch (22.2 mm) bolt and nut are used to retain the T-Pipe within the two outstanding guide plates of the bracket subassembly. The installing contractor must supply four post-installed, concrete anchors complying with Section 3.2.4.1.5, which are used to attach the bracket subassembly to the concrete foundations.

Figures 3, 4 and 6, and Table 3, provide details for Standard and Heavy Duty Remedial Repair Bracket Assemblies.

3.2.4.1.1 Standard Remedial Repair Bracket (C1500121 and C1500299) Subassemblies: Each bracket subassembly is constructed from one 0.31-inch-thick (7.9 mm) steel bent plate; two 0.31-inch-thick (7.9 mm) vertical gusset plates; two 0.31-inch-thick (7.9 mm) reaction angles; and one 0.50-inch-thick (12.7 mm) steel plate (pipe support arm) that are factory-welded together to form a bracket subassembly.

3.2.4.1.2 Heavy Duty Remedial Repair Bracket (C1500147) Subassembly: The bracket subassembly is constructed from one 0.50-inch-thick (12.7 mm) steel bent plate; two 0.375-inch-thick (9.5 mm) vertical gusset plates; two 0.50-inch-thick (12.7 mm) reaction angles; one 0.75-inch-thick (19.1 mm) steel plate (pipe support arm); and one 0.37-inch-thick (9.4 mm) steel plate (lateral support arm) that are factory-welded together to form a bracket subassembly.

3.2.4.1.3 T-Pipes (C1500486, C1500487, C1500474 and C1500488) for Standard and Heavy Duty Remedial Repair Bracket Assemblies: Each T-Pipe consists of a lifting bolt plate and a support tube that are factory-welded together to form a T-assembly. The C1500486 T-Pipe consists of a lifting bolt plate of square, 9.25-inch-long (235 mm), 2-inch-wide (50.8 mm), $\frac{1}{4}$ -inch nominal wall thickness, hollow structural section (square HSS2x2x $\frac{1}{4}$), and a round HSS support tube, measuring 18 inches (457.2 mm) long and having a $2\frac{5}{8}$ -inch (66.7 mm) outside diameter and a 0.25-inch nominal wall thickness. The C1500487 T-Pipe consists of a lifting bolt plate of 9.25-inch-long (234.95 mm), $1\frac{3}{4}$ -inch-wide (44.5 mm), solid, round-cornered, square (RCS) steel bar, and a support tube that is identical to that of the C1500486 T-Pipe. The C1500474 T-Pipe consists of a lifting bolt plate of 11.5-inch-long (292.1 mm), 2-inch-wide (50.8 mm), solid, round-cornered, square (RCS) steel bar and a support tube of round, 34-inch-long (863.6 mm), $3\frac{1}{4}$ -inch-outside-diameter (82.6 mm) and 0.375-inch nominal wall thickness tube (round HSS). The C1500488 T-Pipe consists of a lifting bolt plate that is identical to that of the C1500487 T-Pipe, and a support tube of round, 18-inch-long (457.2 mm), $2\frac{7}{8}$ -inch-outside-diameter (73.0 mm) and 0.203-inch nominal wall thickness pipe (Pipe 2 $\frac{1}{2}$ Std.).

3.2.4.1.4 Concrete Anchors for Standard Remedial Repair Bracket Assemblies (C1500121 and C1500299): Each standard repair bracket (C1500121 or C1500299) must be installed with two $\frac{5}{8}$ -inch-diameter (15.9 mm), 4-inch (101.6 mm) effective minimum embedment, Hilti KwikBolt 3 (KB3), carbon steel concrete anchors (ICC-ES [ESR-2302](#)) or equivalent as determined by the structural design professional, with hot-dip galvanized coating complying with ASTM A153.

3.2.4.1.5 Concrete Anchors for Heavy Duty Remedial Repair Bracket Assembly (C1500147): Each heavy duty repair bracket (C1500147) must be installed with four $\frac{5}{8}$ -inch-diameter (15.9 mm), 4-inch (101.6 mm) effective minimum embedment, Hilti KwikBolt 3 (KB3), carbon steel concrete anchors (ICC-ES [ESR-2302](#)) or equivalent as determined by the structural design professional, with hot-dip galvanized coating complying with ASTM A153.

3.2.4.2 Chance® Direct Jack Remedial Repair Bracket Assembly (C1500738): The Chance® Direct Jack Remedial Repair Bracket Assembly is designed for use with the Chance® Model SS5 helical shaft and is used to transfer compressive loading from existing concrete foundations to the SS5 helical piles. The bracket assembly

(C1500738) consists of a bracket subassembly, a T-Pipe, and two nuts that are used to connect the bracket subassembly to the T-Pipe. The installing contractor must supply two concrete anchors complying with Section 3.2.4.2.4, which are used to attach the bracket subassembly to the concrete foundations. Figure 5 provides details.

3.2.4.2.1 Direct Jack Remedial Repair Bracket Subassembly: The bracket subassembly is constructed from one 0.375-inch-thick (9.5 mm) steel bent plate, two 0.50-inch-thick (12.7 mm) gusset plates and two 18-inch-long (457.2 mm), No. 11, all-thread reinforcing steel bars (all-thread rebars) that are factory-welded together.

3.2.4.2.2 T-Pipe for Direct Jack Remedial Repair Bracket Assembly: Each T-Pipe consists of one 12.5-inch-long (317.5 mm), 0.5-inch-thick (12.7 mm), U-shaped bent plate; one 12.5-inch-long (317.5 mm), 0.5-inch-thick (12.7 mm), 5-inch-wide (127 mm), steel bearing plate; and one round, 8-inch-long (203.2 mm), 2⁵/₈-inch-outer-diameter (66.7 mm) and 0.25-inch nominal wall thickness tube (round HSS) sleeve that are factory-welded together.

3.2.4.2.3 Nuts for Direct Jack Remedial Repair Bracket Assembly: The T-pipe is attached to each all-thread rebar with one proprietary matching nut.

3.2.4.2.4 Concrete Anchors for Direct Jack Remedial Repair Bracket Assembly: The installing contractor must supply two 1/2-inch-diameter (12.7 mm), 3¹/₂-inch (88.9 mm) effective minimum embedment, Hilti KwikBolt 3 (KB3), carbon steel concrete anchors (ICC-ES [ESR-2302](#)) or equivalent as determined by the structural design professional, with hot-dip galvanized coating complying with ASTM A153, for use in attaching the bracket to the concrete foundation.

3.2.4.3 Chance® New Construction Pile Caps (Brackets) (C1500458G, C1500465G, C1500459G, and C1500467G): The Chance® New Construction Pile Caps are designed for use with the Chance® Model SS5 and SS175 helical shafts and for embedment in cast-in-place concrete foundations. The C1500458G and C1500465G pile caps are used with the SS5 helical piles; and the C1500459G and C1500467G pile caps are used with the SS175 helical piles. Each new construction pile cap consists of one cap/bearing plate and one steel tube sleeve that are factory-welded together to form the bracket. Figures 7 and 8 and Table 4 provide details.

3.2.4.3.1 C1500458G Bracket: The cap plate is 1/2 inch (12.7 mm) thick and 6 inches (152 mm) square, with a 1/2-inch-diameter (12.7 mm) hole located at the center of the plate. The tubular sleeve is a round, 6-inch-long (152.4 mm), 2¹/₂-inch-outer-diameter (63.5 mm), 0.250-inch nominal wall thickness steel tube.

3.2.4.3.2 C1500465G Bracket: The cap plate and the tubular sleeve are identical to those for the C1500458G bracket, except that two 0.81-inch-diameter (20.6 mm) holes are manufactured in opposite walls of the sleeve, allowing the sleeve and the top of the shaft section (which has one hole as described in Section 3.2.3) to be through-bolted together during the field installation. The installing contractor must supply one 3/4-inch-diameter (19.1 mm), heavy hex structural bolt (with threads excluded from the shear planes) along with one matching 3/4-inch (19.1 mm) heavy hex nut to resist the axial tension load.

3.2.4.3.3 C1500459G Bracket: The cap plate is 3/4 inch (19.1 mm) thick and 6 inches (152 mm) square, with a 3/4-inch-diameter (19.1 mm) hole located at the center of the plate. The tubular sleeve is a round, 6.0-inch-long

(152.4 mm), 3-inch-outer-diameter (76.0 mm), 0.313-inch nominal wall thickness steel tube.

3.2.4.3.4 C1500467G Bracket: The cap plate and the tubular sleeve are identical to those for the C1500459G bracket, except that two 1-inch-diameter (25.4 mm) holes are manufactured in opposite walls of the sleeve, allowing the bracket sleeve and the top of the shaft section (which has one hole as described in Section 3.2.3) to be through-bolted together during the field installation. The installing contractor must supply one 7/8-inch-diameter (22.2 mm), heavy hex structural bolt (with threads excluded from the shear planes) along with one matching 7/8-inch (22.2 mm) heavy hex nut to resist the axial tension load.

3.3 Material Specifications:

3.3.1 Helical Pile Lead Shafts and Extensions:

3.3.1.1 Model SS5: The shaft lead and extension sections are solid, hot-rolled, RCS, carbon steel bars, conforming to a proprietary specification, and having a minimum yield strength of 70 ksi (483 MPa) and a minimum tensile strength of 100 ksi (690 MPa). The pile shafts and helix plates (where provided) are hot-dipped galvanized as welded assemblies in accordance with ASTM A153.

3.3.1.2 Model SS175: The shaft lead and extension sections are solid, hot-rolled, RCS, High-Strength Low-Alloy steel bars, conforming to a proprietary specification, and having a minimum yield strength of 90 ksi (621 MPa) and a minimum tensile strength of 120 ksi (827 MPa). The pile shafts and helix plates (where provided) are hot-dipped galvanized as welded assemblies in accordance with ASTM A153.

3.3.2 Helix Plates:

3.3.2.1 Helix Plates for Model SS5: The helix plates that have an outer diameter of 8, 10, or 12 inches (203, 254, or 305 mm) are High-Strength Low-Alloy steels, complying with a proprietary specification, and having a minimum yield strength of 50 ksi (345 MPa) and a minimum tensile strength of 65 ksi (448 MPa). The helix plates that have an outer diameter of 14 inches (356 mm) are High-Strength Low-Alloy steel, complying with a proprietary specification, and having a minimum yield strength of 50 ksi (345 MPa) and a minimum tensile strength of 65 ksi (448 MPa); or having a minimum yield strength of 80 ksi (552 MPa) and a minimum tensile strength of 90 ksi (621 MPa). The helix plates and the shafts to which they are factory-welded are hot-dipped galvanized as assemblies in accordance with ASTM A153.

3.3.2.2 Helix Plates for Model SS175: The helix plates are High-Strength Low-Alloy steels, complying with a proprietary specification or ASTM A656, Grade 80, and having a minimum yield strength of 80 ksi (552 MPa) and a minimum tensile strength of 90 ksi (621 MPa). The helix plates and the shafts to which they are factory-welded are hot-dipped galvanized as assemblies in accordance with ASTM A153.

3.3.3 Shaft Coupling:

3.3.3.1 Upset Socket: The upset socket is an integral part (integrally forged) of the extension shaft, and it is of the same material as the extension section itself.

3.3.3.2 Bolts and Nuts for Model SS5: The bolts used in couplings for SS5 helical pile shafts conform to ASTM A325, Type 1, with threads excluded from the shear planes. The matching hex jam nuts conform to ASTM A563, Grade B. The bolts and nuts are hot-dipped galvanized in accordance with ASTM A153.

3.3.3.3 Bolts and Nuts for Model SS175: The bolts used in couplings for SS175 helical pile shafts conform to ASTM A193, Grade B7, with threads excluded from the shear planes. The matching hex jam nuts conform to ASTM A563, Grade B. The bolts and nuts are hot-dipped galvanized in accordance with ASTM A153.

3.3.4 Chance® Standard and Heavy Duty Remedial Repair Bracket Assemblies:

3.3.4.1 Bracket Subassemblies for Standard Remedial Repair Brackets (C1500121 and C1500299): The steel bent plates and pipe support arms conform to ASTM A36. Alternatively, the steel bent plates conform to a proprietary specification, and have a minimum yield strength of 50 ksi (345 MPa) and a minimum tensile strength of 65 ksi (448 MPa). The vertical gusset plates and reaction angles conform to a proprietary specification, and have a minimum yield strength of 50 ksi (345 MPa) and a minimum tensile strength of 65 ksi (448 MPa). The welded assembly is hot-dipped galvanized in accordance with ASTM A153.

3.3.4.2 Bracket Subassemblies for Heavy Duty Remedial Repair Brackets (C1500147): The components of the bracket subassembly, including the bent plate, gusset plates, reaction angles, pipe support arm and lateral support arm, conform to ASTM A36. The welded assembly is hot-dipped galvanized in accordance with ASTM A153.

3.3.4.3 T-Pipes for Standard and Heavy Duty Remedial Repair Bracket Assemblies: For C1500486 T-Pipe, the lifting bolt plate steel conforms to ASTM A500, Grade C; the support tube steel conforms to a proprietary specification and has a minimum yield strength of 50 ksi (345 MPa) and a minimum tensile strength of 58 ksi (400 MPa). For C1500487 T-Pipe, the lifting bolt plate steel conforms to a proprietary specification, and has a minimum yield strength of 90 ksi (620 MPa) and a minimum tensile strength of 120 ksi (827 MPa). The support tube steel conforms to same specification as that of support pipes of the C1500486 T-Pipe. For C1500474 T-Pipe, the lifting bolt plate steel conforms to a proprietary specification, and has a minimum yield strength of 90 ksi (621 MPa) and a minimum tensile strength of 120 ksi (827 MPa). The support tube steel conforms to a proprietary specification, and has a minimum yield strength of 50 ksi (345 MPa) and a minimum tensile strength of 70 ksi (483 MPa). For C1500488 T-Pipe, the lifting bolt plate steel conforms to the same specification as that of the lifting bolt plate of C1500487 T-Pipe. The support tube steel conforms to a proprietary specification, and has a minimum yield strength of 50 ksi (345 MPa) and a minimum tensile strength of 62 ksi (427 MPa). All steel components are hot-dipped galvanized in accordance with ASTM A153.

3.3.4.4 Structural Fasteners for Standard Remedial Repair Bracket Assemblies (C1500121 and C1500299): The bolts used in connecting T-Pipes to reaction angles and bridging the two vertical gusset plates conform to ASTM A325, Type 1. Threads are not excluded from shear planes of the bolt that bridges the two vertical gusset plates. The matching nuts at T-Pipe bolt plates conform to ASTM A563, Grade DH, or ASTM A194, Grade 2H. Flat circular washers conforming to ASTM F436 Type 1 are provided for use between the nuts and the T-Pipe lifting bolt plates. The matching nuts at gusset plates conform to ASTM A563, Grade DH, or ASTM A194, Grade 2H. The bolts, nuts and washers are hot-dipped galvanized in accordance with ASTM A153.

3.3.4.5 Structural Fasteners for Heavy Duty Remedial Repair Bracket Assembly (C1500147): The bolts used in

connecting T-Pipes to reaction angles, and bridging the two vertical gusset plates, conform to ASTM A325, Type 1. Threads are not excluded from shear planes of the bolt that bridges the two vertical gusset plates. The matching nuts at T-Pipe lifting bolt plates conform to ASTM A563, Grade DH, or ASTM A194, Grade 2H. The matching nuts at vertical gusset plates conform to ASTM A563, Grade DH, or ASTM A194, Grade 2H. The washers provided for use between the lifting bolt plate and lifting bolt nuts conform to ASTM F436 Type 1. The bolts, nuts and washers are hot-dipped galvanized in accordance with ASTM A153.

3.3.5 Chance® Direct Jack Remedial Repair Bracket Assembly (C1500738)

3.3.5.1 Direct Jack Remedial Repair Bracket Sub-Assembly: The bent plate conforms to a proprietary specification, and has a minimum yield strength of 50 ksi (345 MPa) and a minimum tensile strength of 65 ksi (448 MPa). The gusset plates conform to ASTM A36. The all-thread rebars conform to specifications set forth in the approved quality documentation. The bracket subassemblies are hot-dipped galvanized in accordance with ASTM A153.

3.3.5.2 T-Pipe for Direct Jack Remedial Repair Bracket Assembly: The steel of the U-shaped bent plate and the steel bearing plate conform to a proprietary specification, and has a minimum yield strength of 50 ksi (345 MPa) and a minimum tensile strength of 65 ksi (448 MPa). The steel of the tubular sleeve conforms to ASTM A500, Grade B. The T-Pipes are hot-dipped galvanized in accordance with ASTM A153.

3.3.5.3 Nuts for Direct Jack Remedial Repair Bracket Assembly: The hex nuts conform to a specification set forth in the approved quality documentation.

*

3.3.6 Chance® New Construction Pile Caps (Brackets):

3.3.6.1 C1500458G and C1500465G: The cap plates conform to ASTM A572, Grade 50. The tubular sleeves conform to ASTM A513, Type 5, Grade 1026, having a minimum yield strength of 70 ksi (483 MPa) and a minimum tensile strength of 80 ksi (552 MPa). The brackets are hot-dipped galvanized in accordance with ASTM A153.

3.3.6.2 C1500459G and C1500467G: The cap plates conform to ASTM A36. The tubular sleeves conform to ASTM A513, Type 5, Grade 1026, and have a minimum yield strength of 70 ksi (483 MPa) and a minimum tensile strength of 80 ksi (552 MPa). The brackets are hot-dipped galvanized in accordance with ASTM A153.

3.3.6.3 Structural Fasteners for C1500465G and C1500467G Tension Applications: The structural bolts must conform to ASTM A325, Type 1. The matching nut must conform to A 563, Grade DH, or ASTM A194, Grade 2H. The bolts and nuts must be hot-dipped galvanized in accordance with ASTM A153.

4.0 DESIGN AND INSTALLATION

4.1 Design:

4.1.1 General: Engineering calculations (analysis and design) and drawings, prepared by a registered design professional, must be submitted to and approved by the code official for each project, and must be based on accepted engineering principles, as described in IBC Section 1604.4, and must conform to Section 1810 of the 2012 and 2009 IBC (Section 1808 of the 2006 IBC). The engineering analysis must address helical foundation system performance related to structural and geotechnical

requirements. The calculations must address the ability (considering strength and stiffness) of the supported foundation and structure to transmit the applied loads to the helical foundation system and the ability of the helical piles and surrounding soils to support the loads applied by the supported foundation and structure. The design method for the steel components is either the Load and Resistance Factor Design (LRFD), or the Allowable Strength Design (ASD), described in IBC Section 1602 and AISC 360 Section B3. The design method for the concrete components is the Strength Design (also called LRFD) described in IBC Section 1602 and ACI 318. The design method for soils is the ASD prescribed in IBC Sections 1801.2 and 1602.

The structural analysis must consider all applicable internal forces (axial forces, shears, bending moments and torsional moments, if applicable) due to applied loads, eccentricity between applied loads and reactions acting on the pile-supported structure, the forces/moments exerted on the concrete foundations by the Chance[®] connection brackets, and the design span(s) between helical foundations. Chance[®] remedial repair brackets entail eccentric connection to the pile-supported structure. The effects of this eccentricity can be divided into two components: bracket eccentricity and structural eccentricity. The structural eccentricity relates to the offset distance between the applied loads and the reactions, including reactions from the brackets acting on the pile-supported structure. The bracket eccentricity is resisted by the pile shaft, the bracket, the connection between the shaft and the bracket, and the connection between the bracket and the pile-supported structure. The effects of the bracket eccentricity have been evaluated in this report. The forces exerted by the remedial brackets on the supported structures at the brackets' allowable load ratings are described in Figure 9 and in Tables 17 through 22. The actual forces exerted on supported foundations will depend on the load actually supported by the helical pile. For loads less than a bracket's allowable load rating, the forces exerted on the supported foundations may be calculated by scaling down in proportion to the supported load.

* Chance[®] new construction pile caps exert a force and in some cases may be allowed to exert a moment on the footing or grade beam in which they are embedded. The force is equal in magnitude and opposite in direction to the force in the pile. A small lateral force is developed at the pile cap embedment if the pile shaft is not perfectly plumb but within the permitted inclination from vertical of $\pm 1^\circ$. The lateral shear is equal to $\sin(1^\circ)$ or $0.0175 \times$ the axial force exerted on the pile by the foundation. The allowable moment is zero for pile caps used with either type SS5 or type SS175 helical piles embedded in soft soil under all conditions of concrete strength and pile head fixity. For pile caps sufficiently embedded in concrete to provide a fixed head condition (see Figure 8) and embedded in firm soils only, the allowable moments for SS5 helical piles (based on interaction of combined flexural and axial compression force only), at the pile caps' allowable strength ratings (ASD level), are 14.20 kip-in (1603 N-m) in 2,500 psi (17.2 MPa) concrete, 13.55 kip-in (1530 N-m) in 3,000 psi (20.7 MPa) concrete and 12.27 kip-in (1385 N-m) in 4,000 psi (27.6 MPa) concrete. For pile caps used with SS175 helical piles under the same fixed-head and firm-soil conditions, the allowable moments (based on interaction of combined flexural and axial compression force only) at the pile caps' allowable strength ratings are 36.14 kip-in (4080 N-m) in 2,500 psi (17.2 MPa) concrete, 27.82 kip-in (3141 N-m) in 3,000 psi (20.7 MPa) concrete and 24.61 kip-in (2778 N-m) in 4,000 psi (27.6 MPa) concrete. The effects of the structural eccentricity, including the reactions (forces and moments) exerted by

* the bracket to the pile-supported structures, vary with application, and must be included in the structural analysis by a registered design professional. The result of this analysis and the structural capacities must be used to select a helical foundation system.

The minimum pile embedment into soil for various loading conditions must be determined based on the most stringent requirements of the following: engineering analysis; tested conditions and specified minimum pile embedment described in this report; the site-specific geotechnical investigation report; and site-specific load tests, if applicable.

The strengths (capacities) of the Chance[®] helical foundation components (bracket, shaft, helix and soil), including nominal strength, LRFD strength and ASD allowable strength, as described in IBC Section 1602 and AISC 360 Section B3, are included in this evaluation report. The bracket capacities are listed in Tables 10 through 16; shaft capacities are listed in Tables 6 through 9; helix capacities are listed in Table 5; and soil capacities are described in Section 4.1.5, below.

The geotechnical analysis must address the suitability of the helical foundation system for the specific project. It must also address the center-to-center spacing of the helical pile, considering both effects on the supported foundation and structure and group effects on the pile-soil capacity. The analysis must include estimates of the axial * tension and/or compression capacities of the helical piles, whatever is relevant for the project, and the expected total and differential foundation movements due to single pile or pile group, as applicable.

A written report of the geotechnical investigation must be submitted to the code official as part of the required submittal documents, prescribed in Section 107 under the 2012 and 2009 IBC (Section 106 of the 2006 IBC), at the time of the permit application. The geotechnical report must include, but not be limited to, the following information:

1. A plot showing the location of the soil investigation.
2. A complete record of the soil boring and penetration test logs and soil samples.
3. A record of soil profile.
4. Information on groundwater table, frost depth and corrosion-related parameters, as described in Section 5.5 of this report.
5. Soil properties, including those affecting the design such as support conditions of the piles.
6. Soil design parameters, such as shear strength parameters as required by Section 4.1.5; soil deformation parameters; and relative pile support conditions as defined in Section 1810.2.1 of the 2012 and 2009 IBC (Section 1808.2.9 of the 2006 IBC).
7. Recommendations for design criteria, including but not limited to: mitigations of effects of differential settlement and varying soil strength; and effects of adjacent loads.
8. Field inspection and reporting procedures (to include procedures for verification of the installed bearing capacity when required).
9. Load test requirements.
10. Any questionable soil characteristics and special design provisions, as necessary.

4.1.2 Bracket Capacity (P1): For the concrete footing, the localized limit state of the bracket's concrete bearing

and those limit states described in ACI 318 Appendix D for concrete anchors in tension (such as concrete breakout and pullout), have been evaluated in this evaluation report. All other limit states related to the concrete foundation, such as those limit states described in ACI 318 Appendix D for anchors in shear (such as concrete breakout and pry-out), punching (two-way) shear, beam (one-way) shear, and flexural (bending) related limit states, and all limit states related to bending moment transfer among pile shaft/~~new construction pile cap~~ and concrete footing, have not been evaluated in this evaluation report. The concrete foundation and interaction of pile shaft, ~~new construction pile cap and concrete footing for moment transfer, as applicable~~, must be designed and justified to the satisfaction of the code official, with due consideration to all applicable limit states and the direction and eccentricity of applied loads, including reactions provided by the brackets, acting on the concrete foundation. Refer to Tables 10, 11, and 12 for repair bracket capacities; ~~and Tables 13, 14, 15 and 16 for new construction pile cap capacities.~~

4.1.3 Shaft Capacity (P2): The top of shafts must be braced as prescribed in Section 1810.2.2 of the 2012 and 2009 IBC (Section 1808.2.5 of the 2006 IBC), and the supported foundation structures such as concrete footings and concrete pile caps are assumed to be adequately braced such that the supported foundation structures provide lateral stability for the pile systems. In accordance with Section 1810.2.1 of the 2012 and 2009 IBC (Section 1808.2.9 of the 2006 IBC), any soil other than fluid soil must be deemed to afford sufficient lateral support to prevent buckling of the systems that are braced, and the unbraced length is defined as the length of piles that is standing in air, water or in fluid soils plus an additional 5 feet (1524 mm) when embedded into firm soil or an additional 10 feet (3048 mm) when embedded into soft soil. Firm soil must be defined as any soil with a Standard Penetration Test blow count of five or greater. Soft soil must be defined as any soil with a Standard Penetration Test blow count greater than zero and less than five. Fluid soils must be defined as any soil with a Standard Penetration Test blow count of zero [weight of hammer (WOH) or weight of rods (WOR)]. Standard Penetration Test blow count must be determined in accordance with ASTM D1586. The shaft capacity of the helical foundation systems in air, water or fluid soils is not addressed in Tables 6, 7, 8 and 9, and must be determined by a registered design professional.

For purposes of this report, shaft support conditions for resisting axial compressive loads are classified into the following two categories: (1) Fixed Condition, where the top of the pile/bracket is fully restrained against rotation and translation by the concrete foundation; (2) and Pinned Condition, where the top of the pile/bracket is fully restrained against translation, but not against rotation, by the concrete foundation. For both conditions, no portion of the pile may stand in air, water or fluid soils; the top of piles must be braced in accordance with Section 1810.2.2 of the 2012 and 2009 IBC (Section 1808.2.5 of the 2006 IBC) as noted above; and piles must be embedded at least 5 feet (1524 mm) into stiff soil, and 10 feet (3048 mm) into soft soil. See Tables 6, 7, 8 and 9 for shaft capacities.

4.1.4 Helix Plate Capacity (P3): The helix compression ~~and tension~~ load capacities (P3) are listed in Table 5. For helical piles with more than one helix, the allowable helix capacity, P3, for the helical foundation system, may be taken as the sum of the least allowable capacity of each individual helix.

4.1.5 Soil Capacity (P4): The design axial compressive ~~and tensile~~ load capacities of helical piles based on soil resistance (P4) must be determined by a registered design professional in accordance with a site-specific geotechnical report, as described in Section 4.1.1, combined with the individual helix bearing method (Method 1), or from field loading tests conducted under the supervision of a registered design professional (Method 2). For either Method 1 or Method 2, the predicted axial load capacities must be confirmed during the site-specific production installation, such that the axial load capacities predicted by the torque correlation method must be equal to or greater than that predicted by Method 1 or 2, described above.

With the individual helix bearing method, the total nominal axial load capacity of the helical pile is determined as the sum of the individual areas of the helical bearing plates times the ultimate bearing capacities of the soil or rock comprising the respective bearing strata for the plates, as follows:

$$Q_{tot} = \Sigma(A_h q_u) \tag{Equation 1}$$

where:

* Q_{tot} = predicted nominal axial ~~tensile or~~ compressive capacity of the helical pile, lbf (N).

A_h = area of an individual helix bearing plate, in.² (mm²).

q_u = ultimate unit bearing capacity of the soil or rock comprising the bearing stratum for the individual helix bearing plate, psi (MPa).

The unit bearing capacity of the bearing stratum for each helix plate is calculated using the bearing capacity equation for deep foundations as follows:

$$q_u = cN_c + q'N_q \tag{Equation 2}$$

where:

c = undrained shear strength parameter, considering the effect of soil disturbance due to the helix pile installations, psi (MPa).

N_c = bearing capacity factor.

q' = effective overburden pressure at helix plate founding depth, psi (MPa).

N_q = bearing capacity factor.

The bearing capacity factors N_c and N_q and the undrained shear strength of soils must be taken from the site-specific geotechnical report.

The design allowable axial load must be determined by dividing the total ultimate axial load capacity predicted by either Method 1 or 2, above, by a safety factor of at least 2.

The Foundation Design Documentation (see Section 4.1.8) must include documentation of the derivation of the design allowable capacity and the minimum effective torsional resistance pile termination criterion, derived using the torque correlation method. With the torque correlation method, the total ultimate axial load capacity of the helical pile is predicted as follows:

$$Q_{ult} = K_t T \tag{Equation 3}$$

$$Q_{all} = 0.5 Q_{ult} \tag{Equation 4}$$

where:

* Q_{ult} = Ultimate axial ~~tensile or~~ compressive capacity (lbf or N) of the helical pile, which must be limited to the following maximum values: ~~55.9 kips (248.6 kN) for SS5 helical piles in tension; 62.7 kips (278.9 kN) for SS175 helical piles in~~

compression; ~~57.4 kips (255.3 kN) for SS175 helical piles in tension.~~

* Q_{all} = Allowable axial ~~tensile~~ or compressive capacity (lbf or N), which must be limited to the following maximum values: ~~27.9 kips (124.1 kN) for SS5 helical piles in tension;~~ 31.4 kips (139.4 kN) for SS175 helical piles in compression; ~~28.7 kips (127.7 kN) for SS175 helical piles in tension.~~

Capacity limitations for Q_{ult} and Q_{all} described in this Section 4.1.5 are based on axial verification tests conducted on single-helix helical piles. Torque correlation predicted capacities of multi-helix helical piles above these limitations are outside the scope of this evaluation report and are subject to approval of the code official, the approval being based upon submission of justifying evidence in accordance with the code by a registered design professional.

K_t = Torque correlation factor of 10 ft^{-1} (32.8 m^{-1}) for the Chance® Model SS5 (1.5-inch) and SS175 (1.75-inch) square shafts.

T = Effective torsional resistance, which is defined as follows: For single-helix piles supporting axial compression loads, it is the installation torque measured when the pile reaches its final tip embedment; ~~for all piles supporting axial tension loads~~ and for multi-helix piles supporting axial compression loads, it is the average of the last three installation torque measurements. Such measurements must be made at 1-foot (305 mm) increments of tip embedment as the lead helix moves from a position, which is 2 feet (710 mm) prior to the final tip embedment, to the final tip embedment, in lbf-ft or N-m. The minimum effective torsional resistance pile termination criterion is calculated as:

$$T_{req} = F.S. \times Q_{all}/K_t \quad \text{(Equation 5)}$$

where:

T_{req} = minimum effective torsional resistance pile termination criterion, in lbf-ft or N-m.

F.S. = an appropriate factor of safety for the project, not less than 2.0.

* **4.1.6 Foundation System:** The overall allowable capacity of the Chance® helical foundation system (in ~~tension and~~ compression) depends upon the analysis of interaction of brackets, shafts, helical plates and soils, and must be the lowest value of P1 (bracket capacity), P2 (shaft capacity), P3 (helical bearing plate capacity) and P4 (allowable soil capacity). In addition, the overall allowable capacity must be limited to no more than 60 kips (266.9 kN) as required by Section 3.8 of AC308. The maximum nominal strength of 100 kips and maximum LRFD design strength of 90 kips (400.3 kN) listed in Tables 6, 8, 10, 11, 13 and 14 are consistent with this 60 kips (266.9 kN) limitation. Those nominal and LRFD design strength limits correspond to a safety factor, Ω , of 1.67 and a resistance factor, ϕ , of 0.90.

Under the 2012 and 2009 IBC, the additional requirements described in this paragraph must be satisfied. For all design methods permitted under Section 4.1.1 of this report, the allowable axial compressive ~~and tensile~~ load of the helical pile system must be based on the least of the following conditions in accordance with 2012 and 2009 IBC Section 1810.3.3.1.9:

- Allowable load predicted by the individual helix bearing method (or Method 1) described in Section 4.1.5 of this report.

- Allowable load predicted by the torque correlation method described in Section 4.1.5 of this report.
- Allowable load predicted by dividing the ultimate capacity determined from load tests (Method 2 described in Section 4.1.5) by a safety factor of at least 2.0. This allowable load will be determined by a registered design professional for each site-specific condition.
- Allowable capacities of the shaft and shaft couplings. See Section 4.1.3 of this report.
- Sum of the allowable axial capacity of helical bearing plates affixed to the pile shaft. See Section 4.1.4 of this report.
- Allowable axial load capacity of the bracket. See Section 4.1.2 of this report.

4.1.7 Settlement Analysis: The pile head vertical movement at allowable load of a Chance® helical pile may be estimated as the sum of the following: the movement at helix plates due to soil deformation and helix plate deflection, and the shaft elastic shortening or lengthening. The corresponding equation is described below:

$$\Delta_{total} = \Delta_{helix} + \Delta_{shaft} \quad \text{(Equation 6)}$$

where:

Δ_{total} = Total pile head vertical movement, in. (mm).

Δ_{helix} = Movement of helix plates within soil, in. (mm).

Δ_{shaft} = Shaft elastic shortening/lengthening, in. (mm).

The reliability of foundation system capacity and settlement predictions may be improved by performing full-scale field tests at the construction site using piles of same configuration as the intended production piles.

4.1.7.1 Shaft Elastic Shortening and Lengthening: Elastic shortening or lengthening of a Chance® SS5 or SS175 shaft may be a significant contributor to overall pile head movement under load for long piles. For loads up to and including the allowable load limits found in the tables of this report, the length change can be estimated as :

$$\Delta_{shaft} = P L / (A E) \quad \text{(Equation 7)}$$

where:

Δ_{shaft} = Length change of shaft resulting from elastic shortening or lengthening, in (mm).

P = applied axial load, lbf (N).

L = effective length of the shaft, in. (mm).

A = cross-sectional area of the shaft, see Table 1, in.² (mm²).

E = Young's modulus of the shaft, may be taken as 29,000 ksi (200 000 MPa).

The effective length of the shaft, L, may be approximated as the average of the distances from the point of load application to each helix plate.

4.1.7.2 Helix Movement: The evaluation of helix movement due to helix deformation, soil deformation, and the helix-soil interaction, is beyond the scope of this evaluation report. It is recommended that the user of this report consult with the helical pile manufacturer (Hubbell Power Systems, Inc.).

4.1.8 Foundation Design Documentation: The foundation design documentation, which is a part of the approved construction documents and prepared by a registered design professional, must include at least the following for each pile placement:

1. The manufacturer, helical pile configuration and catalog numbers of structural attachment bracket/ T-Pipe assembly or pile cap, as appropriate.
2. Minimum pile tip embedment and minimum effective torsional resistance termination criteria. There must be an explanation that the minimum effective torsional resistance is to be calculated as one of the following:
 - a. The final torsional resistance for single-helix piles loaded in compression.
 - b. The average of the last three torsional resistance readings taken at 1-foot (305 mm) tip embedment intervals, starting 2 feet (710 mm) prior to the final tip embedment, ~~for all piles loaded in tension and~~ for multi-helix piles loaded in compression.
3. Maximum pile tip embedment, if appropriate.
4. Construction details for bracket connections to structures, prescriptively specifying at least the following (as applicable):
 - a. Type and condition of the structure to be supported.
 - b. Bracing. Bracing in compliance with IBC Section 1810.2.2 of the 2012 and 2009 IBC (Section 1808.2.5 of the 2006 IBC) is required for all structures to be supported by Chance[®] Remedial Repair Brackets ~~or New Construction Pile Caps.~~
 - c. Surface preparation.
 - d. Drill holes, bolts and washer plates.
 - e. Field welding.
 - f. Edge distance.
 - g. Concrete reinforcement.
 - h. Leveling grout.
 - i. The permissible angles of inclination for installation for the helical pile foundation systems (shafts and brackets) are $3^\circ \pm 1^\circ$ for Remedial Repair Brackets; $2^\circ \pm 1^\circ$ for Direct Jack Brackets; ~~and $0^\circ \pm 1^\circ$ (or aligned with vertical) for New Construction Pile Caps.~~
5. Construction details must also indicate that materials with different corrosion protection coatings must not be combined in the same system and that the helical foundation systems must not be placed in electrical contact with structural steel, reinforcing steel or any other metal building components.

4.2 Installation:

4.2.1 General:

1. The Chance[®] helical foundation systems must be installed in accordance with this section (Section 4.2), 2012 and 2009 IBC Section 1810.4.11, site-specific approved construction documents (engineering drawings and specifications), and the manufacturer's written installation instructions. In case of conflict, the most stringent governs.
2. The Chance[®] helical foundation systems must be installed by Hubbell Power Systems trained and certified installers. (At least one member of the installation crew must hold a current certification for basic training conducted by Hubbell Power Systems personnel.)
3. The helical piles are typically installed using portable or machine-mounted rotary hydraulic motors capable

of exerting a torsional moment at least 10 percent higher than the maximum installation torque reported in Tables 7 and 9 for the pile model being installed and an axial force (crowd) sufficient to cause the pile to penetrate the earth at a rate of approximately 3 inches (76.2 mm) per revolution. In addition, equipment capable of measuring the torsional resistance experienced by the pile during installation to an accuracy of ± 10 percent of the minimum effective torsional resistance termination criterion specified in the Foundation Design Documentation (see Section 4.1.8) must be utilized for installation quality control. The foundation piles must be aligned both vertically and horizontally as specified in the approved plans.

4. The helical piles must be installed in a continuous manner with the pile advancing at a rate equal to at least 2.5 inches (64 mm) per revolution at the time of final torque measurement. Installation speeds must be limited to less than 25 revolutions per minute (rpm).
5. The foundation piles must be installed to the minimum pile tip embedment specified in the approved construction documents, including the Foundation Design Documentation. ~~For tension applications, as a minimum, the pile must be installed such that the minimum depth from the ground surface to the uppermost helix is 12D, where D is the diameter of the largest helix.~~
6. The helical piles must be located in accordance with the approved plans and specifications.

4.2.2 Detailed Installation Procedures:

1. The drive tools (Kelly bar adapter, in-line torque indicator, if any, and pile drive adapter) must be assembled in accordance with the published instructions, and the drive tool assembly must be attached to the Kelly bar (if any) or the output shaft of the torque motor.
2. The pile lead section must be pinned into the drive adapter and must be secured with the coil-lock ring. Only Chance[®] bent-arm pins and coil lock rings can be used for this purpose. Replacement pins and coil-lock rings are available from Hubbell Power Systems and its distributors.
3. The tip of the lead section must be placed in the proper location according to the approved plans and specifications.
4. The torque motor must be activated to begin installation.
5. The piles' maximum installation torque rating must not be exceeded during the pile installations.
6. The installation must be stopped when the top of the lead section nears ground level.
7. If extension sections with helix plate(s) are to be used, they must be added in proper sequence in accordance with the approved foundation plans. All coupling nuts must be tightened so the bolts achieve a snug-tight condition as defined in Section J3 of AISC 360 (as a minimum, nuts must be tightened to one-quarter turn beyond hand-tight condition).
8. The inclination angles must be in accordance with item 4i of Section 4.1.8 of this report.
9. The installation must be continued, using extensions without helix plates as necessary, until the minimum tip embedment and the minimum effective torsional

resistance specified in the foundation plans are both met, unless one of the issues listed in Section 4.3, item 12, is encountered. All coupling nuts must be tightened per step 7 of this Section (Section 4.2.2).

- * 10. The remedial repair foundation bracket ~~or new construction pile cap~~ must be installed per the manufacturer's published instructions and Section 4.2.4 or 4.2.5, respectively.

4.2.3 Field Quality Control Requirements:

1. A torque indicator that has been calibrated within the previous 12 months must be used for pile installation. Torque indicators which utilize a correlation between torsional resistance and hydraulic pressure(s) in the system supplying the torque motor must have been calibrated with the system that is used to make the production installations.
2. Rotational speed between 5 and 25 rpm must be maintained.
3. Axial thrust ("crowd") must be maintained in order to keep the pile moving between 2¹/₂ and 3¹/₂ inches (64 and 88.9 mm) per revolution. It is especially important that this pile moving speed be maintained whenever torsional resistance readings are being taken.
4. Alignment of the pile, drive tooling, Kelly bar (if any) and torque motor must be maintained to avoid inducing bending moments into the pile shaft.
5. Torsional resistance must be monitored during the entire installation operation. The pile's maximum installation torque rating must not be exceeded.
6. Extension sections with helix plate(s) (if any) must be added in the proper sequence in accordance with the foundation plans.
7. Torsional resistance must be recorded in embedment increments no greater than 5 feet (1524 mm) during the entire installation and just before the installation is terminated.
- * 8. When installing ~~single-helix piles that will be loaded in tension and~~ all multi-helix piles, torsional resistance must be recorded at final tip embedment minus 2 feet (710 mm) and final embedment minus 1 foot (305 mm), in addition to the resistance at final embedment.
9. The tip embedment and torsional resistance readings must be verified to meet or exceed the specified termination criteria before terminating installation.
10. For single-helix compression piles, the final torsional resistance reading must be equal to or exceed the specified minimum.
11. For multi-helix piles, the average of the final three torsional resistance readings must be equal to or exceed the specified minimum.

4.2.4 Helical Piles with Remedial Repair Brackets (C1500121, C1500299, C1500147 and C1500738) Installation:

1. An area at each location adjacent to the building foundation must be excavated to expose the footing, grade beam, stem wall or column. For the C1500121 and C1500299 brackets, the width of the exposed area should be at least 18 inches (457 mm) and should extend 12 inches (305 mm) below the bottom of the footing or grade beam. For the C1500147

grade beam. For the C1500738 bracket, the width of the exposed area should be at least 16 inches (406 mm) and should extend 20 inches (508 mm) below the bottom of the footing or grade beam.

2. Soil attached to the bottom of the footing or grade beam must be removed. The footing or grade beam must be prepared by chipping away irregularities from the bottom and side faces. Notching the footing or grade beam is recommended to allow the bracket to mount directly and adjacent to the load-bearing wall/column, but must be performed with the approval of the registered design professional and the code official. The vertical and horizontal surfaces of the footing or grade beam must be flat and reasonably smooth before the bracket is mounted.
3. Reinforcing steel within the footing must not be cut without the approval of the registered design professional and the code official.
4. The bearing surface of the concrete must be smooth, and free of all soil, debris and loose concrete, so as to provide a firm bearing surface for the repair bracket.
5. The bracket to the foundation or grade beam must be connected by means of either two or four concrete anchor bolts described in Section 3.0 of this report. The installation of concrete anchors must be strictly in accordance the ICC-ES evaluation report noted in Section 3.0 of this report.
6. The helical pile must be installed in accordance with Sections 4.2.1 through 4.2.3 of this report.
7. After the helical pile has been installed, any excess length must be cut off to allow for mounting to the bracket.
8. The T-pipe must be placed on the helical pile and must be connected to the bracket with the bolts and nuts provided with the bracket. The nuts must be tightened so the cross bolts achieve a snug-tight condition as defined in Section J3 of AISC 360 (as a minimum, nuts must be tightened to one-quarter turn beyond hand-tight condition), and the nuts (for the lifting bolts) must be tightened to one-quarter turn beyond hand-tight condition.
9. A hydraulic jack must be placed on top of the T-pipe and must be connected to the bracket.
10. Lifting or stabilizing of the structure can be done by applying load with the hydraulic jack. Any lifting or stabilizing of the structure must be verified by qualified personnel (a registered design professional) to ensure that no part of the foundation, structure, or helical pile is overstressed.
11. Once the foundation has been raised or stabilized, the nuts (for lifting bolts) must be tightened to one-quarter turn beyond hand-tight condition on the bracket bolts to secure the T-pipe and helical pile to the bracket.
12. The hydraulic jack must then be removed.
13. The excavation must be backfilled with properly compacted soil. Excess soil and debris must be removed.
14. The full installation instructions are contained in the training manual available from Hubbell Power Systems or online at the CHANCE University Certification website.

~~4.2.5 Helical Piles with New Construction Bracket (C1500458G, C1500459G, C1500465G and C1500467G) Installation:~~

- 1. The lead helical section must be installed and successive extensions must be added as needed until the termination criteria (such as torque and depth) prescribed in the Foundation Design Documentation are met and the top of the shaft is at or above the required elevation. If necessary, the pile can be cut off in accordance with the manufacturer's instructions at the required elevation. The minimum embedment depths into the footing or grade beam depicted in Figure 8 must be adhered to.
- 2. The new construction bracket must be placed over the top of the helical pile shaft and must be seated firmly.
- 3. For fixed end condition, the embedment depth into the footing or grade beam must be at least 7.5 inches (1905 mm).
- 4. If the pile is to be used to resist tension forces, the embedment of the new construction bracket into the footing or grade beam as required for resisting tension loads must be determined by a registered design professional, and the bracket must be through-bolted to the helical pile shaft with the bolt and matching nut as specified in Sections 3.2 and 3.3. The nut must be tightened so the bolt achieves snug-tight condition as defined in Section J3 of AISC 360 (as a minimum, nuts must be tightened to one-quarter turn beyond hand-tight condition).
- 5. The steel reinforcing bars must be placed and the concrete must be poured according to the approved construction documents.
- 6. All helical pile components must be galvanically isolated from the concrete reinforcing steel and other metal building components.

4.3 Special Inspections:

Special inspections in accordance with Section 1705.9 of the 2012 IBC (Section 1704.10 of the 2009 IBC, and Section 1704.9 of the 2006 IBC) must be performed continuously during installation of the Chance® helical foundation system (piles and brackets). Items to be recorded and confirmed by the special inspector must include, but are not necessarily limited to, the following:

- 1. Verification of the product manufacturer and the manufacturer's certification of installers.
- 2. Product configuration and identification (including catalog numbers) for lead sections, extension sections, bracket/T-pipe/Pile cap assemblies, bolts/threaded rods, and nuts and washers as specified in the construction documents and this evaluation report.
- 3. Installation equipment used.
- 4. Written installation procedures.
- 5. Verification that the actual, as-constructed pile tip embedments and effective torsional resistances are within the limits specified in the Foundation Design Documentation.
- 6. Inclination and horizontal position/location of helical piles.
- 7. Tightness of all bolts/threaded rods.
- 8. Verification that the new construction pile cap plate is in full contact with the top of pile shaft.
- 9. Verification of bracket bearing plate contact at the outer corner region of the foundation and absence of cracks in the foundation in the vicinity of the bracket.

- 10. Compliance of the installation with the approved construction documents and this evaluation report.
- 11. Where on-site welding is required, special inspection in accordance with Section 1705.2 of the 2012 IBC (Section 1704.3 of the 2009 and 2006 IBC) must be conducted.
- 12. Both minimum tip embedment and minimum effective torsional resistance termination criteria must be met before installation ceases, unless one of the following issues arises:
 - a. Continuing the installation would pose a safety concern.
 - b. Continuing the installation would cause the maximum installation torque rating of the pile listed in Tables 7 and 9 of this report to be exceeded.
 - c. Continuing the installation would cause the maximum tip embedment limit (if any) to be exceeded.

5.0 CONDITIONS OF USE

The Chance® Model SS5 and SS175 Helical Foundation Systems described in this report comply with, or are suitable alternatives to what is specified in, the codes indicated in Section 1.0 of this report, subject to the following conditions:

5.1 The Chance helical foundation systems are manufactured, identified and installed in accordance with this report, the approved construction documents (engineering drawings and specifications), and the manufacturer's written installation instructions, which must be available at the jobsite at all times during installation. In case of conflict, the most stringent requirement governs.

5.2 The Chance helical foundation systems have been evaluated for support of structures assigned to Seismic Design Categories A, B and C in accordance with IBC Section 1613. Helical foundation systems that support structures assigned to Seismic Design Category D, E or F, or that are located in Site Class E or F, are outside the scope of this report, and are subject to the approval of the building official based upon submission of a design in accordance with the code by a registered design professional.

5.3 Installations of the helical foundation systems are limited to regions of concrete members where analysis indicates no cracking will occur at service load levels.

5.4 All brackets (Standard and Heavy Duty Remedial Repair Brackets, Direct Jack Brackets, and ~~New Construction Pile Caps~~) must be used only to support structures that are laterally braced as defined in Section 1810.2.2 of the 2012 and 2009 IBC (Section 1808.2.5 of the 2006 IBC). Shaft couplings must be located within firm or soft soil as defined in Section 4.1.3. Tables 6 through 15 provide the nominal, LRFD design, and allowable strengths in firm and soft soil.

5.5 The helical foundation systems must not be used in conditions that are indicative of potential pile deterioration or corrosion situations as defined by the following: (1) soil resistivity less than 1,000 ohm-cm; (2) soil pH less than 5.5; (3) soils with high organic content; (4) soil sulfate concentrations greater than 1,000 ppm; (5) soils located in a landfill, or (6) soil containing mine waste.

5.6 Zinc-coated steel and bare steel components must not be combined in the same system. All helical foundation components must be galvanically isolated from concrete reinforcing steel, building structural steel, or any other metal building components.

* ~~5.7 The new construction helical piles (piles with new construction pile caps) must be installed vertically into the ground with a maximum allowable angle of inclination of $\pm 1^\circ$. The tops of pile caps must be embedded into the concrete footing with a minimum 4-inch (101.6 mm) vertical embedment and a minimum 4-inch (101.6 mm) side embedment beyond the perimeter of the steel cap plates, except as specifically noted in Section 4.2.5. To comply with requirements found in Section 1810.3.1.3 of the 2012 and 2009 IBC (Section 1808.2.8.8 of the 2006 IBC), the superstructure must be designed to resist the effects of helical pile eccentricity.~~

5.8 The retrofit helical piles must be installed such that the angle of inclination does not exceed $3^\circ \pm 1^\circ$ for Standard and Heavy Duty Remedial Repair Brackets and $2^\circ \pm 1^\circ$ for Direct Jack Brackets.

5.9 Special inspection is provided in accordance with Section 4.3 of this report.

5.10 Engineering calculations and drawings, in accordance with recognized engineering principles as described in IBC Section 1604.4, and complying with Section 4.1 of this report, are prepared by a registered design professional and approved by the code official.

5.11 The adequacy of the concrete structures that are connected to the Chance brackets must be verified by a registered design professional, in accordance with applicable code provisions such as Chapter 15 of ACI 318 and Chapter 18 of the IBC. Verification is subject to the approval of the code official.

5.12 A geotechnical investigation report for each project site must be provided to the code official for approval in accordance with Section 4.1.1 of this report.

* ~~5.13 When using the alternative basic load combinations prescribed in IBC Section 1605.3.2, the allowable stress increases permitted by material chapters of the IBC or the referenced standards are prohibited.~~

5.14 The minimum helical pile center-to-center spacing is four times the diameter of the largest helical bearing plate. For piles with closer spacing, the pile allowable load reductions due to pile group effects must be included in the geotechnical report described in Section 4.1.1 of this report, and must be considered in the pile design by a registered design professional. Load reductions are subject to the approval of the code official.

5.15 See Section 4.2.1, item 5, for the minimum pile tip embedment requirement.

5.16 Settlement of helical piles is beyond the scope of this evaluation report and must be determined by a registered design professional as required in Section 1810.2.3 of the 2012 and 2009 IBC (Section 1808.2.12 of the 2006 IBC), and after consultation with Hubbell Power Systems, Inc.

5.17 Post-installed concrete anchors, including requirements for installation and inspection, must comply with the applicable ICC-ES evaluation reports noted in Sections 3.2.4.1.4, 3.2.4.1.5 and 3.2.4.2.4 of this report. The anchors must be installed into normal-weight concrete.

5.18 Requirements set forth in the footnotes of Figure 9 and Tables 6 through 22 must be satisfied.

* ~~5.19 Evaluation of compliance with Section 1810.3.11.1 of the 2012 and 2009 IBC (Section 1808.2.23.1.1 of the 2006 IBC) for buildings assigned to Seismic Design Category (SDC) C, and with IBC Section 1810.3.6 of the 2012 and 2009 IBC (Section 1808.2.7 of the 2006 IBC) for all buildings, is outside of the scope of this evaluation report. Such compliance must be addressed by a registered design professional for each site, and the work of the design professional is subject to approval by the code official.~~

5.20 The Chance helical foundation systems are manufactured by Hubbell Power Systems, Inc. – Centralia Operations, 210 North Allen Street, Centralia, Missouri 65240; under a quality control program with inspections by RADCO (AA-650).

6.0 EVIDENCE SUBMITTED

Data in accordance with the ICC-ES Acceptance Criteria for Helical Pile Systems and Devices (AC358), dated June 2013.

7.0 IDENTIFICATION

The Chance[®] Model SS5 and SS175 Helical Foundation System components described in this report are identified by labels that include the report holder's name (Hubbell Power Systems, Inc.) and address, the product catalog number and description, the ICC-ES evaluation report number (ESR-2794) and the name of the inspection agency (RADCO, AA-650). Additionally, Model SS-5 and SS175 helical piles are identified by the characters "C4XY" and "C6XY", respectively, and the characters YYYY (where X and Y are alpha-numeric characters) stamped into the shaft and the word "Chance" stamped on the top side of each helix. The Chance[®] Remedial Repair Brackets and the T-Pipes are stamped with the letter "C".

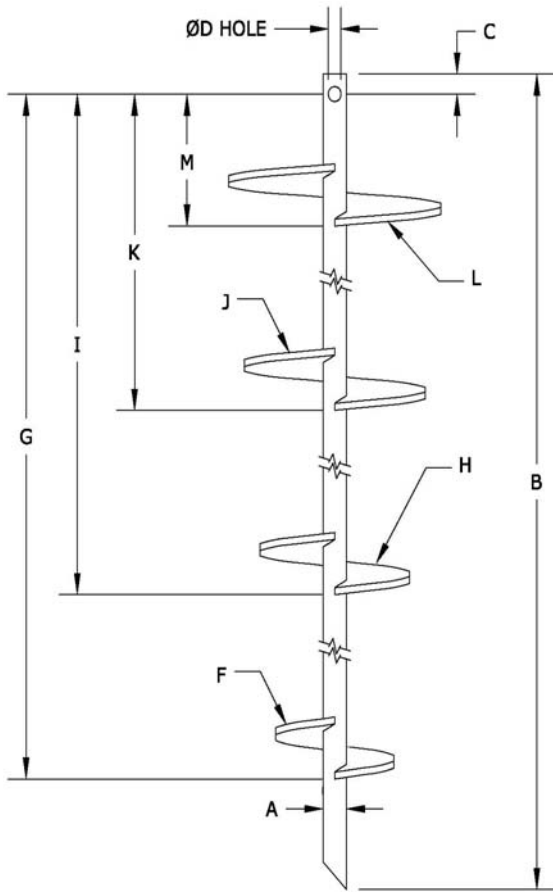


FIGURE 1—SS5 & SS175 LEAD SECTIONS

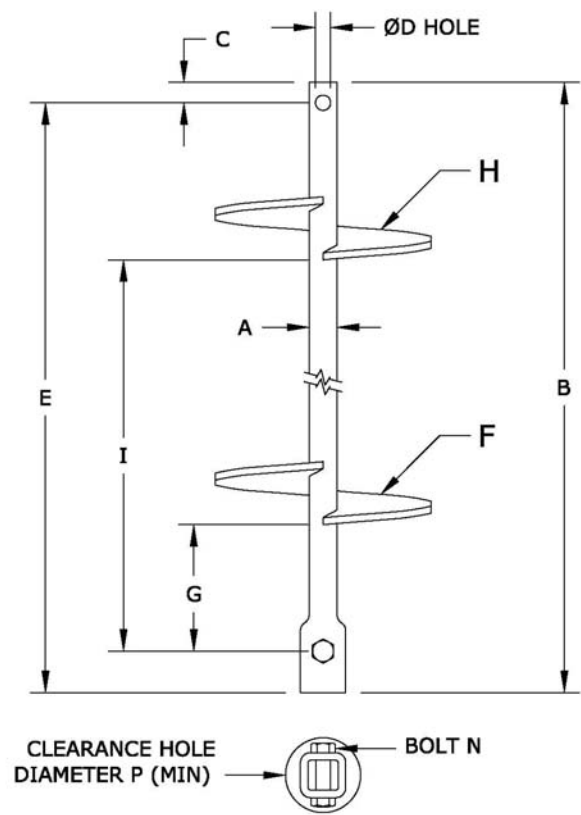


FIGURE 2—SS5 & SS175 EXTENSION SECTIONS

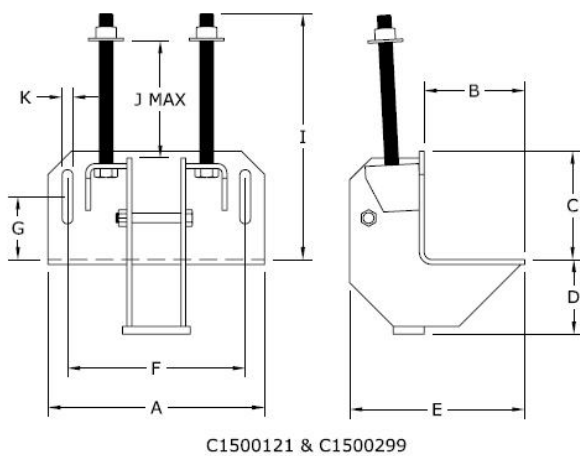


FIGURE 3—STANDARD REMEDIAL REPAIR BRACKETS

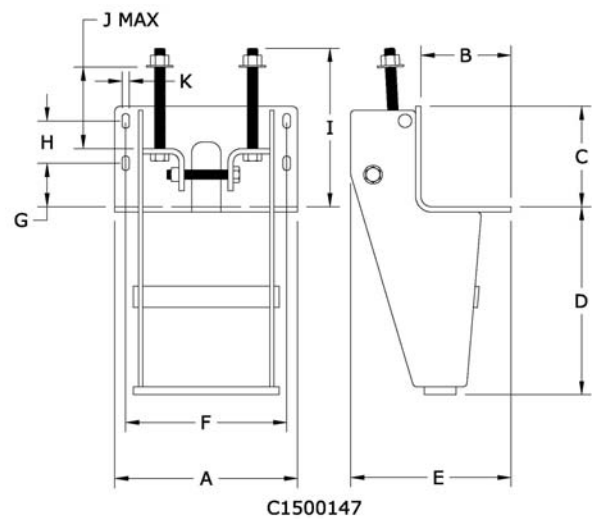
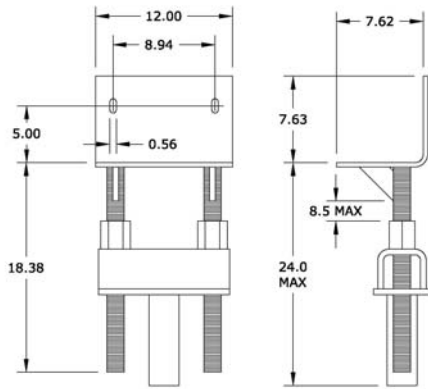


FIGURE 4—HEAVY-DUTY REMEDIAL REPAIR BRACKET



C1500738

FIGURE 5—DIRECT JACK REMEDIAL REPAIR BRACKET

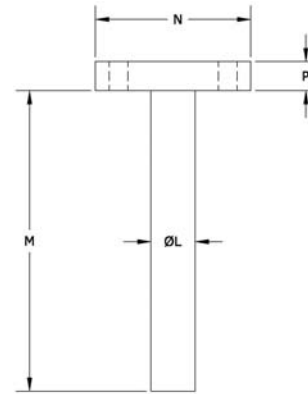


FIGURE 6—T-PIPE FOR STANDARD AND HEAVY-DUTY REMEDIAL REPAIR BRACKETS

*

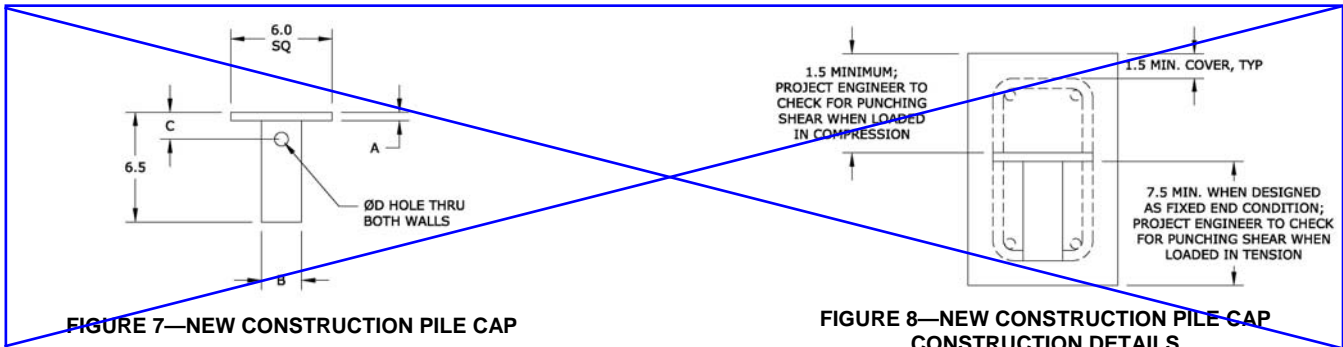


FIGURE 7—NEW CONSTRUCTION PILE CAP

FIGURE 8—NEW CONSTRUCTION PILE CAP CONSTRUCTION DETAILS

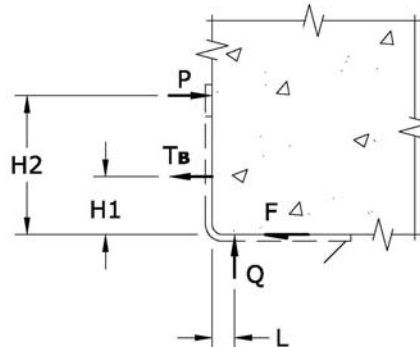


FIGURE 9—FORCES APPLIED TO FOUNDATION BY REMEDIAL REPAIR BRACKETS

Design Assumptions: The foundation and its interaction with soils beyond the pile excavation is sufficiently rigid to support the inverted corbel action (torsion) due to the “offset” bracket bearing relative to the center of the foundation. Certain project conditions (like “loose” stone/masonry foundation walls) may not comply with this design assumption. The foundation must be able to provide adequate lateral restraint (bracing) for the shaft that is equal to or greater than 0.4 percent of the allowable axial compression load of the pile.

TABLE 1—MODELS AND DIMENSIONS OF CHANCE HELICAL PILE LEAD SECTIONS BY CATALOG NUMBER¹

Catalog Number	Model	Area (in ²)	A (in)	B (in)	C (in)	D (in)	F (in)	G (in)	H (in)	I (in)	J (in)	K (in)	L (in)	M (in)					
C1500001	SS5	2.20	1.50	83	1.09	0.81	8	76	-	-	-	-	-	-					
C1500002				60			8	53	-	-	-	-	-						
C1500003				83			10	76	-	-	-	-	-						
C1500004				83			12	76	-	-	-	-	-						
C1500005				83			14	76	-	-	-	-	-						
C1500006				83			8	76	10	52	-	-	-	-					
C1500007				64			8	60	10	37	12	7	-	-					
C1500031				124			8	117	10	93	-	-	-	-					
C1500051				83			10	76	12	47	-	-	-	-					
C1500058				60			10	53	-	-	-	-	-	-					
C1500156				26			8	18	-	-	-	-	-	-					
C1500160				37			8	33	10	9	-	-	-	-					
C1500161				43			10	39	12	9	-	-	-	-					
C1500242				60			12	53	-	-	-	-	-	-					
C1500243				60			14	53	-	-	-	-	-	-					
C1500397				83			8	76	10	52	12	22	-	-					
C1500398				124			10	117	12	87	14	51	-	-					
C1500489				83			10	76	12	46	14	10	-	-					
C1500531				124			12	117	-	-	-	-	-	-					
C15000070302				64			12	57	14	21	-	-	-	-					
T1100607				83			14	76	14	34	-	-	-	-					
T1100676				83			8	76	-	-	-	-	-	-					
T1100677				83			10	76	-	-	-	-	-	-					
T1100678				83			12	76	-	-	-	-	-	-					
T1100720				64			8	60	10	24	-	-	-	-					
C1100227				SS175			3.01	1.75	38	1.70	1.00	8	30	10	6	-	-	-	-
C1100235									66			8	58	10	35	12	6	-	-
C1100247									130			8	122	10	98	12	68	14	32
C1100505	130	14	122		14	80			14			38	-	-					
C1500010	66	8	58		-	-			-			-	-	-					
C1500011	66	10	58		-	-			-			-	-	-					
C1500012	66	8	58		10	34			-			-	-	-					
C1500093	66	10	58		12	34			-			-	-	-					
C1500179	38	8	30		10	6			-			-	-	-					
C1500180	66	8	58		10	35			12			6	-	-					
C1500181	130	14	122		14	80			14			38	-	-					
C1500401	84	8	76		10	52			12			22	-	-					
C1500402	130	10	122		12	92			14			56	-	-					
C1500493	84	8	76		10	52			-			-	-	-					
T1100674	84	10	76		12	46			14			10	-	-					
T1100730	84	14	76		14	34			-			-	-	-					
T1100853	84	10	76		10	46			10			16	-	-					
T1500264	66	8	58		-	-			-			-	-	-					

For SI: 1 inch = 25.4 mm, 1 inch² = 645.2 mm².

¹Refer to Figure 1 for dimensions A through M.

TABLE 2—MODELS AND DIMENSIONS OF CHANCE HELICAL PILE EXTENSIONS BY CATALOG NUMBER¹

Catalog Number	Model	A (in)	B (in)	C (in)	D (in)	E (in)	F (in)	G (in)	H (in)	I (in)	N ²	P (in)
C1500008	SS5	1.50	61	1.09	0.81	57	-	-	-	-	³ / ₄ -10 HHB per ASTM A325 Type 1 w/ Hex Jam Nut	4.0
C1500009			84			80	-	-	-	-		
C1500047			41			37	-	-	-	-		
C1500048			123			120	-	-	-	-		
C1500159			61			57	12	28	-	-		
C1500166			41			37	14	28	-	-		
C1500166L			61			57	14	47	-	-		
C1500013	SS175	1.75	62	1.70	1.00	58	-	-	-	-	⁷ / ₈ -9 HHB per ASTM A193 Gr B7 w/ Hex Jam Nut	5.0
C1500014			84			80	-	-	-	-		
C1500183			41			37	-	-	-	-		
C1500184			127			123	-	-	-	-		
C1500185			49			45	14	37	-	-		
C1500186			84			80	14	36	14	72		
C1500470			62			58	14	4	-	-		

For SI: 1 inch = 25.4 mm.

¹Refer to Figure 2 for dimensions A through P.

²Refer to Sections 3.2.3 and 3.3.3 for coupling bolt and nut requirements.

TABLE 3—MODELS AND DIMENSIONS OF CHANGE REMEDIAL REPAIR BRACKETS AND T-PIPES BY CATALOG NUMBER¹

Catalog Number	Pier Model	A (in)	B (in)	C (in)	D (in)	E (in)	F (in)	G (in)	H (in)	I (in)	J (in)	K (in)	L (in)	M (in)	N (in)	P (in)
C1500121	SS5	14.0	6.5	7.0	4.8	11.3	11.5	4.1	-	15.9	8.4	0.69	-	-	-	-
C1500147	SS175	17.3	8.5	9.5	17.7	15.1	15.2	4.1	8.1	15.0	8.5	0.69	-	-	-	-
C1500299	SS175	14.0	6.5	7.0	4.8	11.3	11.5	4.1	-	15.9	8.4	0.69	-	-	-	-
C1500474	SS175	-	-	-	-	-	-	-	-	-	-	-	3.25	34.0	11.5	2.00
C1500486	SS5	-	-	-	-	-	-	-	-	-	-	-	2.63	18.0	9.25	2.00
C1500487	SS5	-	-	-	-	-	-	-	-	-	-	-	2.63	18.0	9.25	1.75
C1500488	SS175	-	-	-	-	-	-	-	-	-	-	-	2.88	18.0	9.25	1.75

For **SI**: 1 inch = 25.4 mm.

¹Refer to Figures 3, 4 and 6 for dimensions A through P.

*

Catalog Number	Pier Model	A (in)	B (in)	C (in)	D (in)
C1500458G	SS5	0.50	2.38	-	-
C1500459G	SS175	0.75	2.88	-	-
C1500465G	SS5	0.50	2.38	1.09	0.81
C1500467G	SS175	0.75	2.88	1.70	1.00

For **SI**: 1 inch = 25.4 mm. ¹Refer to Figure 7 for dimensions A through D.

TABLE 5—NOMINAL, LRFD DESIGN AND ASD ALLOWABLE STRENGTHS OF HELIX PLATES FOR SHAFT AXIAL TENSION AND COMPRESSION¹

Pier Model	Outside Dimension (in)	Thickness (in)	Nominal Strength (kips)	LRFD Design Strength (kips)	ASD Allowable Strength (kips)
SS5	8	3/8	57.3	51.6	28.7
	10	3/8	47.7	42.9	23.8
	12	3/8	44.2	39.8	22.1
	14	3/8	54.1	48.7	27.1
SS175	8	1/2	68.0	61.2	34.0
	10	3/8	66.1	59.5	33.1
	12	3/8	57.5	51.7	28.7
	14	3/8	51.8	46.7	25.9

For **SI**: 1 inch = 25.4 mm, 1 kip = 4.448 kN.

¹Capacities include allowance for corrosion over a 50-year service life.

TABLE 6—NOMINAL AND LRFD DESIGN STRENGTHS OF HELICAL PILE LEAD SECTIONS BY CATALOG NUMBER^{1,2}

Catalog Number	Nominal Tension Strength (kips)	Design Tension Strength (kips)	Nominal & LRFD Design Compression Strengths (kips)							
			Firm Soil				Soft Soil			
			Fixed		Pinned		Fixed		Pinned	
			Nominal	Design	Nominal	Design	Nominal	Design	Nominal	Design
SS5 Helical Pile Lead Sections										
C1500001	57.3	51.6	57.3	51.6	54.4	48.9	26.6	24.0	13.6	12.2
C1500002	57.3	51.6	57.3	51.6	54.4	48.9				
C1500003	47.7	42.9	47.7	42.9	47.7	42.9				
C1500004	44.2	39.8	44.2	39.8	44.2	39.8				
C1500005	54.1	48.7	54.1	48.7	54.1	48.7				
C1500006	70.0	52.5	89.8	80.8	54.4	48.9				
C1500007	70.0	52.5	89.8	80.8	54.4	48.9				
C1500031	70.0	52.5	89.8	80.8	54.4	48.9				
C1500051	70.0	52.5	89.8	80.8	54.4	48.9				
C1500058	47.7	42.9	47.7	42.9	47.7	42.9				
C1500156	57.3	51.6	57.3	51.6	54.4	48.9				
C1500160	70.0	52.5	89.8	80.8	54.4	48.9				
C1500161	70.0	52.5	89.8	80.8	54.4	48.9				
C1500242	44.2	39.8	44.2	39.8	44.2	39.8				
C1500243	54.1	48.7	54.1	48.7	54.1	48.7				
C1500397	70.0	52.5	89.8	80.8	54.4	48.9				
C1500398	70.0	52.5	89.8	80.8	54.4	48.9				
C1500489	70.0	52.5	89.8	80.8	54.4	48.9				
C1500531	44.2	39.8	44.2	39.8	44.2	39.8				
C15000070302	70.0	52.5	89.8	80.8	54.4	48.9				
T1100607	70.0	52.5	89.8	80.8	54.4	48.9				
T1100676	57.3	51.6	57.3	51.6	54.4	48.9				
T1100677	47.7	42.9	47.7	42.9	47.7	42.9				
T1100678	44.2	39.8	44.2	39.8	44.2	39.8				
T1100720	70.0	52.5	89.8	80.8	54.4	48.9				

(Continued)

* Deleted by the City of Los Angeles

TABLE 6—NOMINAL AND LRFD DESIGN STRENGTHS OF HELICAL PILE LEAD SECTIONS BY CATALOG NUMBER^{1,2} (CONTINUED)

Catalog Number	Nominal Tension Strength (kips)	Design Tension Strength (kips)	Nominal & LRFD Design Compression Strengths (kips)							
			Firm Soil				Soft Soil			
			Fixed		Pinned		Fixed		Pinned	
			Nominal	Design	Nominal	Design	Nominal	Design	Nominal	Design
SS175 Helical Pile Lead Sections										
C1100227	99.8	75.0	100	90	100	90	50.5	45.4	25.8	23.2
C1100235	99.8	75.0	100	90	100	90				
C1100247	99.8	75.0	100	90	100	90				
C1100505	99.8	75.0	100	90	100	90				
C1500010	99.8	75.0	100	90	100	90				
C1500011	66.1	59.5	66.1	59.5	66.1	59.5				
C1500012	99.8	75.0	100	90	100	90				
C1500093	99.8	75.0	100	90	100	90				
C1500179	99.8	75.0	100	90	100	90				
C1500180	99.8	75.0	100	90	100	90				
C1500181	99.8	75.0	100	90	100	90				
C1500401	99.8	75.0	100	90	100	90				
C1500402	99.8	75.0	100	90	100	90				
C1500493	99.8	75.0	100	90	100	90				
T1100674	99.8	75.0	100	90	100	90				
T1100730	99.8	75.0	100	90	100	90				
T1100853	99.8	75.0	100	90	100	90				
T1500264	99.8	75.0	100	90	100	90				

For SI: 1 kip = 4.448 kN.

¹Refer to Section 4.1.3 of this report for descriptions of fixed condition, pinned condition, soft soil and firm soil.

²Strength ratings include an allowance for corrosion over a 50-year service life and presume the supported structure is braced in accordance with Section 1810.2.2 of the 2012 and 2009 IBC (Section 1808.2.5 of the 2006 IBC).

TABLE 7—ASD ALLOWABLE STRENGTHS AND MAXIMUM INSTALLATION TORQUES OF HELICAL PILE LEAD SECTIONS BY CATALOG NUMBER^{1,2}

Catalog Number	Allowable Tension Strength (kips)	Maximum Installation Torque (lb-ft)	ASD Allowable Compression Strengths (kips)			
			Firm Soil		Soft Soil	
			Fixed	Pinned	Fixed	Pinned
SS5 Helical Pile Lead Sections						
C1500001	28.7	5,700	28.7	28.7	16.0	8.1
C1500002	28.7		28.7	28.7		
C1500003	23.8		23.8	23.8		
C1500004	22.1		22.1	22.1		
C1500005	27.1		27.1	27.1		
C1500006	35.0		52.5	32.6		
C1500007	35.0		53.8	32.6		
C1500031	35.0		52.5	32.6		
C1500051	35.0		45.9	32.6		
C1500058	23.8		23.8	23.8		
C1500156	28.7		28.7	28.7		
C1500160	35.0		52.5	32.6		
C1500161	35.0		45.9	32.6		
C1500242	22.1		22.1	22.1		
C1500243	27.1		27.1	27.1		
C1500397	35.0		53.8	32.6		
C1500398	35.0		53.8	32.6		
C1500489	35.0		53.8	32.6		
C1500531	22.1		22.1	22.1		
C15000070302	35.0		49.2	32.6		
T1100607	35.0		53.8	32.6		
T1100676	28.7		28.7	28.7		
T1100677	23.8		23.8	23.8		
T1100678	22.1		22.1	22.1		
T1100720	35.0		52.5	32.6		

(Continued)

TABLE 7—ASD ALLOWABLE STRENGTHS AND MAXIMUM INSTALLATION TORQUES OF HELICAL PILE LEAD SECTIONS BY CATALOG NUMBER^{1,2} (CONTINUED)

Catalog Number	Allowable Tension Strength (kips)	Maximum Installation Torque (lb-ft)	ASD Allowable Compression Strengths (kips)			
			Firm Soil		Soft Soil	
			Fixed	Pinned	Fixed	Pinned
SS175 Helical Pile Lead Sections						
C1100227	50.0	10,500	60.0	60.0	30.2	15.4
C1100235	50.0		60.0	60.0		
C1100247	50.0		60.0	60.0		
C1100505	50.0		60.0	60.0		
C1500010	34.0		34.0	34.0		
C1500011	33.1		33.1	33.1		
C1500012	50.0		60.0	60.0		
C1500093	50.0		60.0	60.0		
C1500179	50.0		60.0	60.0		
C1500180	50.0		60.0	60.0		
C1500181	50.0		60.0	60.0		
C1500401	50.0		60.0	60.0		
C1500402	50.0		60.0	60.0		
C1500493	50.0		60.0	60.0		
T1100674	50.0		60.0	60.0		
T1100730	50.0		51.8	51.8		
T1100853	50.0		60.0	60.0		
T1500264	34.0		34.0	34.0		

For SI: 1 kip = 4.448 kN, 1lb-ft = 1.356 N-m.

¹Refer to Section 4.1.3 of this report for descriptions of fixed condition, pinned condition, soft soil and firm soil.

²Strength ratings include an allowance for corrosion over a 50-year service life and presume the supported structure is braced in accordance with Section 1810.2.2 of the 2012 and 2009 IBC (Section 1808.2.5 of the 2006 IBC).

TABLE 8—NOMINAL AND LRFD DESIGN STRENGTHS OF HELICAL PILE EXTENSION SECTIONS BY MODEL^{1,2}

Pile Model	Nominal Tension Strength (kips)	Design Tension Strength (kips)	Nominal & LRFD Design Compression Strengths (kips)							
			Firm Soil				Soft Soil			
			Fixed		Pinned		Fixed		Pinned	
			Nominal	Design	Nominal	Design	Nominal	Design	Nominal	Design
SS5	70.0	52.5	89.8	80.8	54.4	48.9	26.6	24.0	13.6	12.2
SS175	99.8	75.0	100	90	100	90	50.5	45.4	25.8	23.2

For SI: 1 kip = 4.448 kN.

¹Refer to Section 4.1.3 of this report for descriptions of fixed condition, pinned condition, soft soil and firm soil.

²Strength ratings include an allowance for corrosion over a 50-year service life and presume the supported structure is braced in accordance with Section 1810.2.2 of the 2012 and 2009 IBC (Section 1808.2.5 of the 2006 IBC), and the lead section with which the extension is used will provide sufficient helix capacity to develop the full shaft capacity.

TABLE 9—ASD ALLOWABLE STRENGTHS OF HELICAL PILE EXTENSION SECTIONS BY MODEL^{1,2}

Pile Model	Allowable Tension Strength (kips)	Maximum Installation Torque (lb-ft)	ASD Allowable Axial Compression Strength (kips)			
			Firm Soil		Soft Soil	
			Fixed	Pinned	Fixed	Pinned
SS5	35.0	5,700	53.8	32.6	16.0	8.1
SS175	50.0	10,500	60.0	60.0	30.2	15.4

For SI: 1 kip = 4.448 kN, 1lb-ft = 1.356 N-m.

¹Refer to Sections 4.1.3 of this report for descriptions of fixed condition, pinned condition, soft soil and firm soil.

²Strength ratings include an allowance for corrosion over a 50-year service life and presume the supported structure is braced in accordance with Section 1810.2.2 of the 2012 and 2009 IBC (Section 1808.2.5 of the 2006 IBC), and the lead section with which the extension is used will provide sufficient helix capacity to develop the full shaft capacity.

TABLE 10—NOMINAL STRENGTHS OF REMEDIAL REPAIR BRACKETS^{1,2,3,4}

Bracket Catalog Number	T-Pipe Catalog Number	Pile Model	Nominal Strength in Axial Compression (kips)					
			2500 psi Concrete ⁵		3000 psi Concrete ⁵		4000 psi Concrete ⁵	
			Firm Soil	Soft Soil	Firm Soil	Soft Soil	Firm Soil	Soft Soil
C1500121	C1500486	SS5	36.3	26.6	36.3	26.6	36.3	26.6
C1500121	C1500487	SS5	74.6	26.6	82.9	26.6	89.8	26.6
C1500299	C1500488	SS175	83.8	50.5	91.4	50.5	99.0	50.5
C1500147	C1500474	SS175	100	50.5	100	50.5	100	50.5
C1500738	Incl w/ Brkt	SS5	50.9	23.1	50.9	23.1	50.9	23.1

For SI: 1 kip = 4.448 Kn.

¹Refer to Section 4.1.3 of this report for descriptions of fixed condition, pinned condition, soft soil and firm soil.

²Strength ratings include an allowance for corrosion over a 50-year service life and presume the supported structure is braced in accordance with Section 1810.2.2 of the 2012 and 2009 IBC (Section 1808.2.5 of the 2006 IBC).

³Strength ratings apply to the specific bracket, T-pipe and anchor/pile models listed.

⁴See Section 4.1.2 of this report for applicable limit states that must be evaluated by a registered design professional.

⁵Refer to the specified compressive strength of concrete at 28 days.

TABLE 11—LRFD DESIGN STRENGTHS OF REMEDIAL REPAIR BRACKETS^{1,2,3,4}

Bracket Catalog Number	T-Pipe Catalog Number	Pile Model	LRFD Design Strength in Axial Compression (kips)					
			2500 psi Concrete ⁵		3000 psi Concrete ⁵		4000 psi Concrete ⁵	
			Firm Soil	Soft Soil	Firm Soil	Soft Soil	Firm Soil	Soft Soil
C1500121	C1500486	SS5	32.6	24.0	32.6	24.0	32.6	24.0
C1500121	C1500487	SS5	52.2	24.0	58.0	24.0	62.8	24.0
C1500299	C1500488	SS175	58.6	42.9	66.5	45.4	74.2	45.4
C1500147	C1500474	SS175	86.7	45.4	88.4	45.4	90	45.4
C1500738	Incl w/ Brkt	SS5	45.8	20.8	45.8	20.8	45.8	20.8

For **SI**: 1 kip = 4.448 kN.

¹Refer to Section 4.1.3 of this report for descriptions of fixed condition, pinned condition, soft soil and firm soil.

²Strength ratings include an allowance for corrosion over a 50-year service life and presume the supported structure is braced in accordance with Section 1810.2.2 of the 2012 and 2009 IBC (Section 1808.2.5 of the 2006 IBC).

³Strength ratings apply to the specific bracket, T-pipe and anchor/pile models listed.

⁴See Section 4.1.2 of this report for applicable limit states that must be evaluated by a registered design professional.

⁵Refer to the specified compressive strength of concrete at 28 days.

TABLE 12—ASD ALLOWABLE STRENGTHS OF REMEDIAL REPAIR BRACKETS^{1,2,3,4}

Bracket Catalog Number	T-Pipe Catalog Number	Pile Model	ASD Allowable Strength in Axial Compression (kips)					
			2500 psi Concrete ⁵		3000 psi Concrete ⁵		4000 psi Concrete ⁵	
			Firm Soil	Soft Soil	Firm Soil	Soft Soil	Firm Soil	Soft Soil
C1500121	C1500486	SS5	21.7	16.0	21.7	16.0	21.7	16.0
C1500121	C1500487	SS5	32.8	16.0	36.4	16.0	39.4	16.0
C1500299	C1500488	SS175	36.8	27.7	41.7	30.2	49.5	30.2
C1500147	C1500474	SS175	54.4	30.2	57.0	30.2	60.0	30.2
C1500738	Incl w/ Brkt	SS5	30.5	13.8	30.5	13.8	30.5	13.8

For **SI**: 1 kip = 4.448 kN.

¹Refer to Section 4.1.3 of this report for descriptions of fixed condition, pinned condition, soft soil and firm soil.

²Strength ratings include an allowance for corrosion over a 50-year service life and presume the supported structure is braced in accordance with Section 1810.2.2 of the 2012 and 2009 IBC (Section 1808.2.5 of the 2006 IBC).

³Strength ratings apply to the specific bracket, T-pipe and anchor/pile models listed.

⁴See Section 4.1.2 of this report for applicable limit states that must be evaluated by a registered design professional.

⁵Refer to the specified compressive strength of concrete at 28 days.

TABLE 13—NOMINAL STRENGTHS OF NEW CONSTRUCTION PILE CAPS LOADED IN COMPRESSION^{1,2,3,4,5}

Catalog Number	Pile Model	Nominal Compression Strength (kips)											
		2500 psi Concrete ⁶				3000 psi Concrete ⁶				4000 psi Concrete ⁶			
		Firm Soil		Soft Soil		Firm Soil		Soft Soil		Firm Soil		Soft Soil	
		Pinned	Fixed	Pinned	Fixed	Pinned	Fixed	Pinned	Fixed	Pinned	Fixed	Pinned	Fixed
C1500458G	SS5	54.4	60.0	13.6	26.6	54.4	62.3	13.6	26.6	54.4	66.9	13.6	26.6
C1500459G	SS175	100	100	25.8	50.5	100	100	25.8	50.5	100	100	25.8	50.5
C1500465G	SS5	54.4	60.0	13.6	26.6	54.4	62.3	13.6	26.6	54.4	66.9	13.6	26.6
C1500467G	SS175	100	100	25.8	50.5	100	100	25.8	50.5	100	100	25.8	50.5

For **SI**: 1 inch = 25.4 mm, 1 kip = 4.448 kN, 1lbf-ft = 1.356 N-m.

¹Refer to Section 4.1.3 of this report for descriptions of fixed condition, pinned condition, soft soil and firm soil.

²Strength ratings include an allowance for corrosion over a 50-year service life and presume the supported structure is braced in accordance with Section 1810.2.2 of the 2012 and 2009 IBC (Section 1808.2.5 of the 2006 IBC).

³Capacities apply to the specific pile cap and pile models listed.

⁴The fixed end condition requires that the foundation itself be fixed and that pile and pile cap be embedded in the foundation with adequate concrete cover and reinforcing to resist 56.4 kip-in or 116 kip-in nominal bending moment for SS5 and SS175 pile models, respectively. The center of shaft must be at least 6-in away from the end/corner of the concrete footing.

⁵See Section 4.1.2 of this report for applicable limit states that must be evaluated by a registered design professional.

⁶Refer to the specified compressive strength of concrete at 28 days.

TABLE 14—LRFD DESIGN STRENGTHS OF NEW CONSTRUCTION PILE CAPS LOADED IN COMPRESSION^{1,2,3,4,5}

Catalog Number	Pile Model	LRFD Design Compression Strength (kips)											
		2500 psi Concrete ⁶				3000 psi Concrete ⁶				4000 psi Concrete ⁶			
		Firm Soil		Soft Soil		Firm Soil		Soft Soil		Firm Soil		Soft Soil	
		Pinned	Fixed	Pinned	Fixed	Pinned	Fixed	Pinned	Fixed	Pinned	Fixed	Pinned	Fixed
C1500458G	SS5	48.9	50.6	12.2	24.0	48.9	52.0	12.2	24.0	48.9	54.7	12.2	24.0
C1500459G	SS175	79.2	79.2	23.2	45.4	90	90	23.2	45.4	90	90	23.2	45.4
C1500465G	SS5	48.9	50.6	12.2	24.0	48.9	52.0	12.2	24.0	48.9	54.7	12.2	24.0
C1500467G	SS175	79.2	79.2	23.2	45.4	90	90	23.2	45.4	90	90	23.2	45.4

For **SI**: 1 inch = 25.4 mm, 1 kip = 4.448 kN, 1lbf-ft = 1.356 N-m.

¹Refer to Section 4.1.3 of this report for descriptions of fixed condition, pinned condition, soft soil and firm soil.

²Strength ratings include an allowance for corrosion over a 50-year service life and presume the supported structure is braced in accordance with Section 1810.2.2 of the 2012 and 2009 IBC (Section 1808.2.5 of the 2006 IBC).

³Capacities apply to the specific pile cap and pile models listed.

⁴The fixed end condition requires that the foundation itself be fixed and that pile and pile cap be embedded in the foundation with adequate concrete cover and reinforcing to resist 56.4 kip-in or 116 kip-in nominal bending moment for SS5 and SS175 pile models, respectively. The center of shaft must be at least 6-in away from the end/corner of the concrete footing.

⁵See Section 4.1.2 of this report for applicable limit states that must be evaluated by a registered design professional.

⁶Refer to the specified compressive strength of concrete at 28 days.

TABLE 15—ASD ALLOWABLE STRENGTHS OF NEW CONSTRUCTION PILE CAPS LOADED IN COMPRESSION^{1,2,3,4,5}

Catalog Number	Pile Model	ASD Allowable Compression Strength (kips)											
		2500 psi Concrete ⁶				3000 psi Concrete ⁶				4000 psi Concrete ⁶			
		Firm Soil		Soft Soil		Firm Soil		Soft Soil		Firm Soil		Soft Soil	
		Pinned	Fixed	Pinned	Fixed	Pinned	Fixed	Pinned	Fixed	Pinned	Fixed	Pinned	Fixed
C1500458G	SS5	32.6	33.7	8.1	16.0	32.6	34.6	8.1	16.0	32.6	36.4	8.1	16.0
C1500459G	SS175	52.7	52.7	15.4	30.2	60.0	60.0	15.4	30.2	60.0	60.0	15.4	30.2
C1500465G	SS5	32.6	33.7	8.1	16.0	32.6	34.6	8.1	16.0	32.6	36.4	8.1	16.0
C1500467G	SS175	52.7	52.7	15.4	30.2	60.0	60.0	15.4	30.2	60.0	60.0	15.4	30.2

For **SI**: 1 inch = 25.4 mm, 1 kip = 4.448 kN, 1lbf-ft = 1.356 N-m.

¹Refer to Section 4.1.3 of this report for descriptions of fixed condition, pinned condition, soft soil and firm soil.

²Strength ratings include an allowance for corrosion over a 50-year service life and presume the supported structure is braced in accordance with Section 1810.2.2 of the 2012 and 2009 IBC (Section 1808.2.5 of the 2006 IBC).

³Capacities apply to the specific pile cap and pile models listed.

⁴The fixed end condition requires that the foundation itself be fixed and that pile and pile cap be embedded in the foundation with adequate concrete cover and reinforcing to resist 56.4 kip-in or 116 kip-in nominal bending moment for SS5 and SS175 pile models, respectively. The center of shaft must be at least 6-in away from the end/corner of the concrete footing.

⁵See Section 4.1.2 of this report for applicable limit states that must be evaluated by a registered design professional.

⁶Refer to the specified compressive strength of concrete at 28 days.

TABLE 16—NOMINAL, LRFD DESIGN AND ASD ALLOWABLE STRENGTHS OF NEW CONSTRUCTION PILE CAPS LOADED IN TENSION^{1,2,3,4}

Catalog Number	Pile Model	Nominal, LRFD Design and ASD Allowable Strengths in Tension (kips)								
		2500 psi Concrete ⁵			3000 psi Concrete ⁵			4000 psi Concrete ⁵		
		Nom Str	Design Str	Allow Str	Nom Str	Design Str	Allow Str	Nom Str	Design Str	Allow Str
C1500465G	SS5	56.2	42.1	28.1	56.2	42.1	28.1	56.2	42.1	28.1
C1500467G	SS175	78.9	59.2	39.5	78.9	59.2	39.5	78.9	59.2	39.5

For **SI**: 1 inch = 25.4 mm, 1 kip = 4.448 kN.

¹Refer to Section 4.1.3 of this report for descriptions of fixed condition, pinned condition, soft soil and firm soil.

²Strength ratings include an allowance for corrosion over a 50-year service life.

³Capacities apply to the specific pile cap and pile models listed.

⁴See Section 4.1.2 of this report for applicable limit states that must be evaluated by a registered design professional.

⁵Refer to the specified compressive strength of concrete at 28 days.

TABLE 17—FORCES APPLIED BY REMEDIAL REPAIR BRACKETS TO FOUNDATIONS OF 2500 PSI CONCRETE ON FIRM SOIL AT ALLOWABLE LOAD LEVELS^{1,2}

Bracket Catalog Number	T-Pipe Catalog Number	Pile Model	Forces Applied by Brackets to Foundations (kips) & their Positions (in) (see Figure 9)						
			F (kips)	Q (kips)	L (in)	TB (kips)	H1 (in)	P (kips)	H2 (in)
C1500121	C1500486	SS5	8.7	21.7	0.89	4.0	4.00	11.2	6.50
C1500121	C1500487	SS5	10.5	32.8	1.08	6.8	4.00	15.5	6.50
C1500299	C1500488	SS175	10.5	36.8	1.08	6.8	4.00	15.5	6.50
C1500147	C1500474	SS175	19.6	54.4	1.92	13.6	6.12	29.7	9.00
C1500738	Incl w/ Brkt	SS5	0.5	30.5	1.75	0.00	5.00	0.1	6.63

For **SI**: 1 inch = 25.4 mm, 1 kip = 4.448 kN.

¹Refer to Section 4.1.3 of this report for descriptions of soft soil and firm soil.

²Design assumption described in Figure 9 must be verified by a registered design professional.

TABLE 18—FORCES APPLIED BY REMEDIAL REPAIR BRACKETS TO FOUNDATIONS OF 3000 PSI CONCRETE ON FIRM SOIL AT ALLOWABLE LOAD LEVELS^{1,2}

Bracket Catalog Number	T-Pipe Catalog Number	Pile Model	Forces Applied by Brackets to Foundations (kips) & their Positions (in) (see Figure 9)						
			F (kips)	Q (kips)	L (in)	TB (kips)	H1 (in)	P (kips)	H2 (in)
C1500121	C1500486	SS5	8.7	21.7	0.74	2.7	4.00	9.9	6.50
C1500121	C1500487	SS5	12.2	36.4	1.04	7.4	4.00	17.5	6.50
C1500299	C1500488	SS175	12.2	41.7	1.04	7.4	4.00	17.5	6.50
C1500147	C1500474	SS175	22.8	57.0	1.57	14.9	6.12	33.7	9.00
C1500738	Incl w/ Brkt	SS5	0.5	30.5	1.75	0.00	5.00	0.1	6.63

For **SI**: 1 inch = 25.4 mm, 1 kip = 4.448 kN.

¹Refer to Section 4.1.3 of this report for descriptions of soft soil and firm soil.

²Design assumption described in Figure 9 must be verified by a registered design professional.

TABLE 19—FORCES APPLIED BY REMEDIAL REPAIR BRACKETS TO FOUNDATIONS OF 4000 PSI CONCRETE ON FIRM SOIL AT ALLOWABLE LOAD LEVELS^{1,2}

Bracket Catalog Number	T-Pipe Catalog Number	Pile Model	Forces Applied by Brackets to Foundations (kips) & their Positions (in) (see Figure 9)						
			F (kips)	Q (kips)	L (in)	TB (kips)	H1 (in)	P (kips)	H2 (in)
C1500121	C1500486	SS5	8.7	21.7	0.56	1.1	4.00	8.3	6.50
C1500121	C1500487	SS5	15.4	39.4	0.99	8.6	4.00	21.3	6.50
C1500299	C1500488	SS175	15.4	49.5	0.99	8.6	4.00	21.3	6.50
C1500147	C1500474	SS175	24.0	60.0	1.24	8.8	6.12	28.6	9.00
C1500738	Incl w/ Brkt	SS5	0.5	30.5	1.75	0.00	5.00	0.1	6.63

For **SI**: 1 inch = 25.4 mm, 1 kip = 4.448 kN.

¹Refer to Section 4.1.3 of this report for descriptions of soft soil and firm soil.

²Design assumption described in Figure 9 must be verified by a registered design professional.

TABLE 20—FORCES APPLIED BY REMEDIAL REPAIR BRACKETS TO FOUNDATIONS OF 2500 PSI CONCRETE ON SOFT SOIL AT ALLOWABLE LOAD LEVELS^{1,2}

Bracket Catalog Number	T-Pipe Catalog Number	Pile Model	Forces Applied by Brackets to Foundations (kips) & their Positions (in) (see Figure 9)						
			F (kips)	Q (kips)	L (in)	TB (kips)	H1 (in)	P (kips)	H2 (in)
C1500121	C1500486	SS5	6.4	16.0	0.66	0.9	2.69	6.2	6.50
C1500121	C1500487	SS5	6.4	16.0	0.66	0.9	2.69	6.2	6.50
C1500299	C1500488	SS175	11.1	27.7	1.14	5.1	2.69	14.3	6.50
C1500147	C1500474	SS175	12.1	30.2	1.00	1.9	6.12	11.9	9.00
C1500738	Incl w/ Brkt	SS5	0.1	13.8	1.75	0.00	5.00	0.00	6.63

For **SI**: 1 inch = 25.4 mm, 1 kip = 4.448 kN, 1lbf-ft = 1.356 N-m.

¹Refer to Section 4.1.3 of this report for descriptions of soft soil and firm soil.

²Design assumption described in Figure 9 must be verified by a registered design professional.

TABLE 21—FORCES APPLIED BY REMEDIAL REPAIR BRACKETS TO FOUNDATIONS OF 3000 PSI CONCRETE ON SOFT SOIL AT ALLOWABLE LOAD LEVELS^{1,2}

Bracket Catalog Number	T-Pipe Catalog Number	Pile Model	Forces Applied by Brackets to Foundations (kips) & their Positions (in) (see Figure 9)						
			F (kips)	Q (kips)	L (in)	TB (kips)	H1 (in)	P (kips)	H2 (in)
C1500121	C1500486	SS5	6.4	16.0	0.55	0.5	2.69	5.8	6.50
C1500121	C1500487	SS5	6.4	16.0	0.55	0.5	2.69	5.8	6.50
C1500299	C1500488	SS175	12.1	30.2	1.03	4.8	2.69	14.8	6.50
C1500147	C1500474	SS175	12.1	30.2	0.83	0.1	6.12	10.1	9.00
C1500738	Incl w/ Brkt	SS5	0.1	13.8	1.75	0.00	5.00	0.00	6.63

For **SI**: 1 inch = 25.4 mm, 1 kip = 4.448 kN.

¹Refer to Section 4.1.3 of this report for descriptions of soft soil and firm soil.

²Design assumption described in Figure 9 must be verified by a registered design professional.

TABLE 22—FORCES APPLIED BY REMEDIAL REPAIR BRACKETS TO FOUNDATIONS OF 4000 PSI CONCRETE ON SOFT SOIL AT ALLOWABLE LOAD LEVELS^{1,2}

Bracket Catalog Number	T-Pipe Catalog Number	Pile Model	Forces Applied by Brackets to Foundations (kips) & their Positions (in) (see Figure 9)						
			F (kips)	Q (kips)	L (in)	TB (kips)	H1 (in)	P (kips)	H2 (in)
C1500121	C1500486	SS5	6.3	16.0	0.41	0.0	2.69	5.2	6.50
C1500121	C1500487	SS5	6.3	16.0	0.41	0.0	2.69	5.2	6.50
C1500299	C1500488	SS175	12.1	30.2	0.78	2.7	2.69	12.7	6.50
C1500147	C1500474	SS175	11.4	30.2	0.63	0.0	6.12	9.3	9.00
C1500738	Incl w/ Brkt	SS5	0.1	13.8	1.75	0.00	5.00	0.00	6.63

For **SI**: 1 inch = 25.4 mm, 1 kip = 4.448 kN.

¹Refer to Section 4.1.3 of this report for descriptions of soft soil and firm soil.

²Design assumption described in Figure 9 must be verified by a registered design professional.